

Ex Proximity Switches

Ex proximity switches Intrinsically Safe MPS 1

- BASEEFA certified
- Intrinsically Safe
- Magnetically actuated
 - See page 37 for actuators (supplied separately)
- Mazak housing
- Water, oil and dustproof to IP65
- Choice of reed positions

The electrical circuit in the hazardous area must be capable of withstanding an a.c. test voltage of 500 volts rms to earth or frame of the apparatus for one minute.

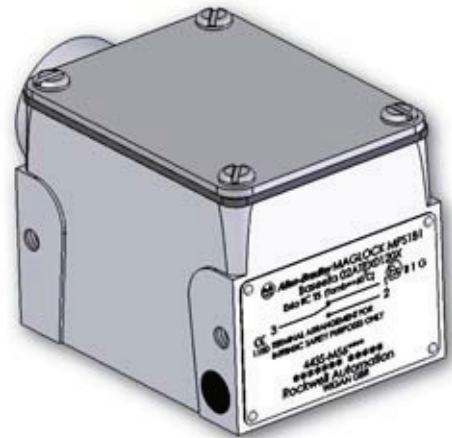
The installation must comply with the installation requirements as specified in EN 60079-14.

The power source must be certified by an EEC approved body to Exia or Exib, whichever is applicable with:

Ui max out 30V

Ii max out 250mA

Pi max out 1.3W

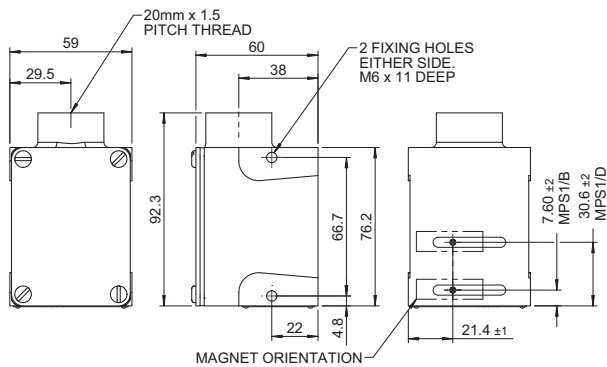


The capacitance and inductance, or inductance to resistance (L/R) ratio of the hazardous area cables must not exceed the values of the power source in use.

Safe area apparatus is unspecified except that it must not be supplied from, nor contain under normal or abnormal conditions, a source of potential with respect to earth in excess of 250 volts rms or 250 volts d.c.

Special conditions of use - the cable must be terminated in an enclosure that provides a degree of protection of at least IP 20 for the connections.

dimensions



ordering details

Switch	Max. volts	Max. current	Power	Part No.
MPS 1/B/1	600V peak	1.25A ac/ dc	20VAac 20Wdc	443S-M565035
MPS 1/D/1	600V peak	1.25A ac/ dc	20VAac 20Wdc	443S-M565037

These switches require a magnetic actuator. Refer to page 37.

technical specifications

Contact arrangement	C/O single pole (change over)
Contact material	Tungsten
Case material	Mazak
Protection	IP 65 (water/oil/dust)
Operating temperature	-10°C to +50°C
Fixings	4 x M6
Contact operating distance	See page 37
Mechanical life	500 x 10 ⁶ typical
Electrical life	Subject to switched load
Cable entry	20mm conduit entry
Weight	1Kg
Conforms to standards	EN 60204-1, EN 60079
Certification	Exd IIC T5
	Certification No. Baseefa 02ATEX 0120X

