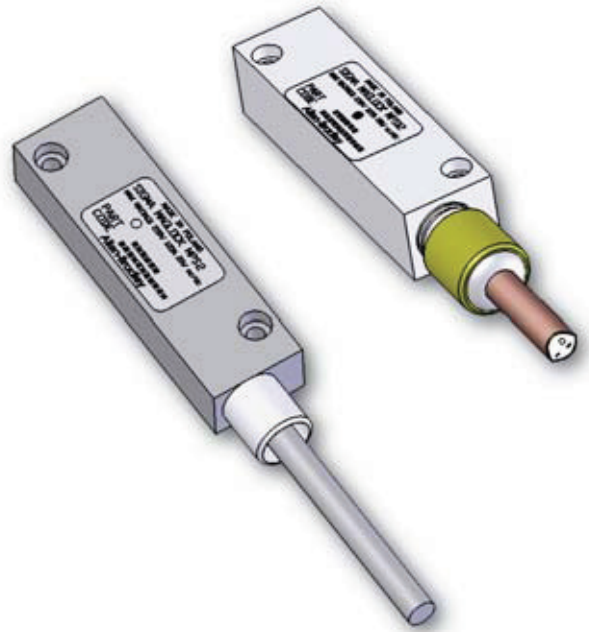


Industrial Proximity Switches

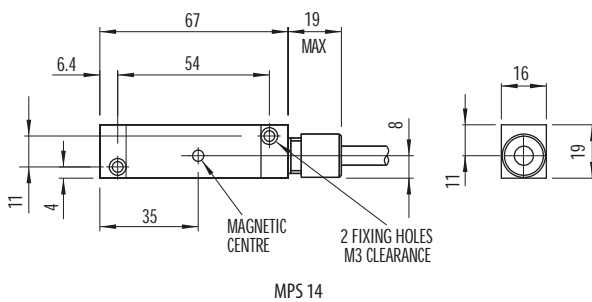
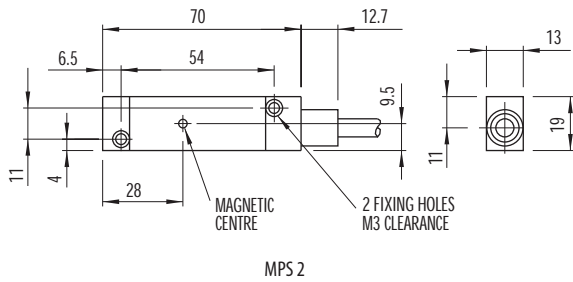
proximity switch

MPS 2, 14

- Magnetically actuated
 - See page 37 for actuators (supplied separately)
- Stainless Steel housing
- Water, oil and dustproof to IP68
- For resistive loads or inductive loads with an external surge suppressor.



dimensions



ordering details

Switch	Max. volts	Max. current	Power	Part No.
MPS 2	250V ac/dc	1.25A ac/ dc	20W/VA max, 3W/VA min	440S-M565052
MPS 14	250V ac/dc	1.25A ac/ dc	20W/VA max, 3W/VA min	440S-M565065

These switches require a magnetic actuator. Refer to page 37.

technical specifications

Contact arrangement	C/O single pole (changeover) For resistive loads as supplied or inductive loads with an external surge suppressor
Contact material	Tungsten
Case material	Stainless Steel
Protection	IP 68 (water/oil/dust)
Operating temperature	-10°C to +80°C
Fixings	2 x M3
Contact operating distance	See page 37
Mechanical life	500 x 10 ⁶ typical
Electrical life	Subject to switched load
Cable	2m flexible PVC
Connections	N/O - blue & black, N/C - brown & black
Weight	MPS 2 - 0.25Kg MPS 14 - 0.3Kg
Conforms to standards	EN 60204-1

