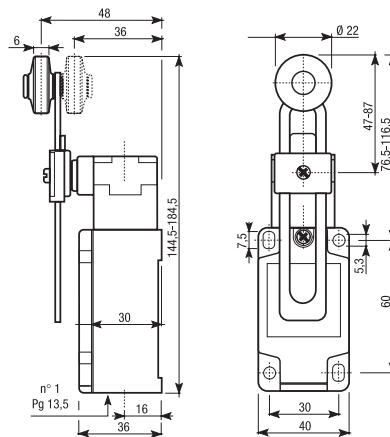




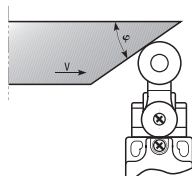
Thermoplastic roller variable length lever

Contact element		Cable entry				Contact travel
		PG 13,5		M20 x 1,5		
		Metal head Plastic body	Metal head Metal body	Metal head Plastic body	Metal head Metal body	
1NO+1NC snap action	00	E40000FI	E40000FM	E40100FI	E40100FM	
1NO+1NC slow action	01	E40001FI	E40001FM	E40101FI	E40101FM	
1NO+1NC slow overlap.	02	E40002FI	E40002FM	E40102FI	E40102FM	
2NO slow action	03	E40003FI	E40003FM	E40103FI	E40103FM	
2NC slow action	04	E40004FI	E40004FM	E40104FI	E40104FM	
2NC snap action	05	E40005FI	E40005FM	E40105FI	E40105FM	
Weight	kg	0,305	0,42	0,305	0,42	
Pack	pcs	1	1	1	1	

standard article



Drive cam operating parameters



φ	V max (m/s)
30°	1,5
45°	1
60°	0,75
60-90°	0,25

Drive forces	
Minimum command force	25 Ncm
Minimum forced opening force	45 Ncm