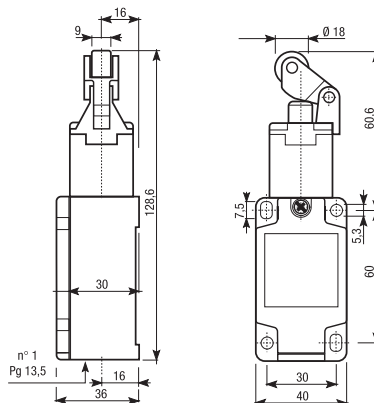




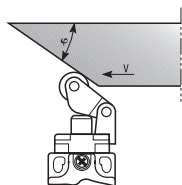
Thermoplastic roller lever, side actuation

Contact element		Cable entry				Contact travel
		PG 13,5		M20 x 1,5		
		Metal head Plastic body	Metal head Metal body	Metal head Plastic body	Metal head Metal body	
1NO+1NC snap action	00	E40000CI	E40000CM	E40100CI	E40100CM	
1NO+1NC slow action	01	E40001CI	E40001CM	E40101CI	E40101CM	
1NO+1NC slow overlap.	02	E40002CI	E40002CM	E40102CI	E40102CM	
2NO slow action	03	E40003CI	E40003CM	E40103CI	E40103CM	
2NC slow action	04	E40004CI	E40004CM	E40104CI	E40104CM	
2NC snap action	05	E40005CI	E40005CM	E40105CI	E40105CM	
Weight	kg	0,255	0,37	0,255	0,37	
Pack	pcs	1	1	1	1	

standard article



Drive cam operating parameters



φ	V max (m/s)
20°	1
30°	0,5

Drive forces	
Minimum command force	9 N
Minimum forced opening force	26 N