

# Ex Limit Switches

## Ex Limit Switches Series 615

- BASEEFA certified
- Available in Group I or Group II versions
- High grade cast iron housing
- Extra heavy duty



### MINES GROUP I GASES

Must be used with a suitable certified cable entry device, (with or without the interposition of a suitable certified flameproof thread adaptor) or suitable certified stopping plugs where appropriate.

The flameproof cable entry devices, thread adaptors and stopping plugs must be certified as equipment (not a component) under an EC type examination certified to Directive 94/9/EC.

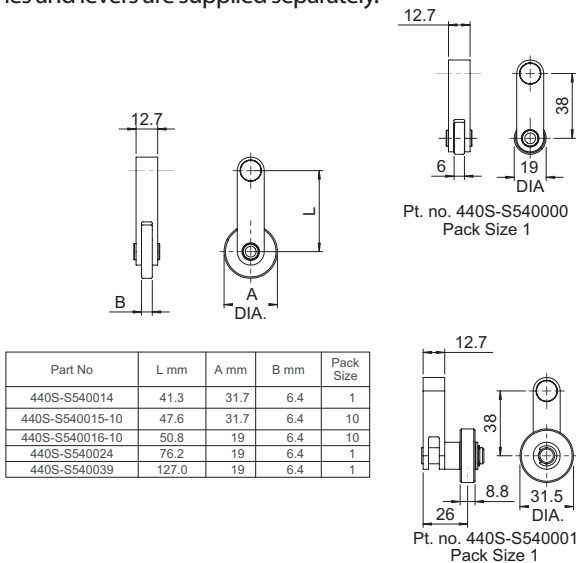
The cable entry devices and cabling methods used in service must be suitable for their intended duty and special types of cable used in Mining.

Must not be dismantled whilst energised or when an explosive gas is present.

Care must be taken not to damage the flamepaths during installation and maintenance.

### LEVERS

Switches and levers are supplied separately.



### GROUP II GASES

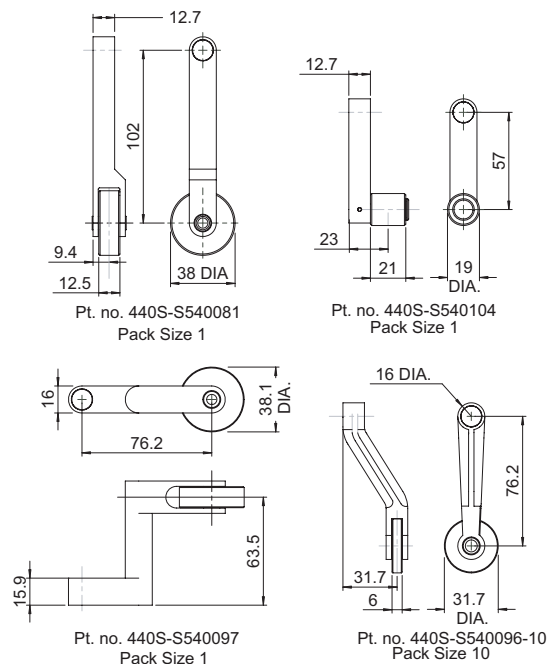
Must comply with the installation requirements as specified in EN60079-14.

Must be used with suitable Baseefa certified cable entry devices, or with or without the interposition of a suitable Baseefa certified flameproof thread adaptor.

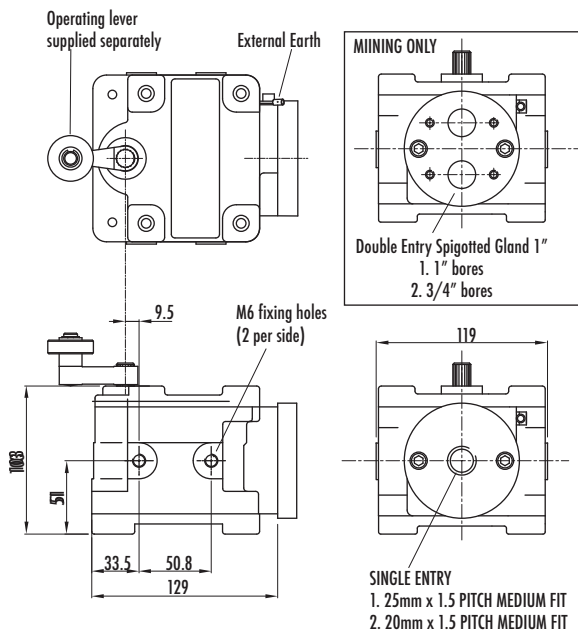
Suitable flameproof cable entry devices, thread adaptors and stopping plugs certified as equipment (not a component) under an EC type examination certified to Directive 94/9/EC may also be used in the manner specified above.

Must not be dismantled whilst energised or when an explosive gas is present.

Care must be taken not to damage the flamepaths during installation and maintenance.



## dimensions



## technical specifications

Contact arrangement	See ordering details
Contact material	Silver (other materials available)
Case material	Cast iron
Protection	IP65 (IP66 with Hylomar compound applied to mating faces)
Operating temperature	-20°C to +40°C
Mechanical life	10 x 10 <sup>6</sup> typical
Electrical life	Subject to switched load
Weight	6Kg
Conforms to standards	
Groups I & II	EN 60079, EN 61241, EN 60204-1
Certification	
Group I	Baseefa 03ATEX 0139X
Group II	Baseefa 03ATEX 0140X



# Ex Limit Switches

## Series 615 (continued)

electrical ratings

Table 1 - Types 'SL' & 'SLNP'

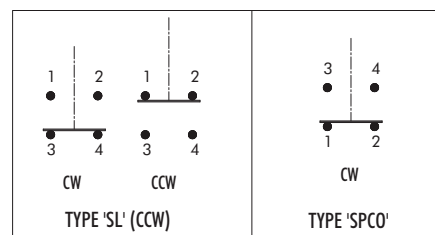
CURRENT RATINGS	Ampere Ratings AC Circuit						Ampere Ratings DC Circuit					
	240V		440V		550V		115V		330V		550V	
	Single Circuit	Double Circuit	Single Circuit	Double Circuit	Single Circuit	Double Circuit	Single Circuit	Double Circuit	Single Circuit	Double Circuit	Single Circuit	Double Circuit
INRUSH	20	20	20	20	20	20	-	-	-	-	-	-
CONTINUOUS CAPACITY	10	10	10	10	10	10	10	10	10	10	10	10
RUPTURING CAPACITY (NON INDUCTIVE)	10	10	7.5	7.5	5	5	5	5	2	1	0.5	0.25
RUPTURING CAPACITY (INDUCTIVE)	10	10	7.5	7.5	5	5	5	1	1	0.5	0.25	0.13

Table 3 - Types 'SPCO' - Group II Gases

CURRENT RATINGS	120V		240V		480V		VA	
AC	Make	Break	Make	Brake	Make	Break	Make	Brake
	60A	6A	30A	3A	15	15A	7200	720
	Continuous carrying current 10A							
Make or Break Ratings								
DC	125V		250V		480V		VA<300V	
	0.55A		0.27A		0.10A		69	
	Continuous carrying current 2.5A							

Table 4 - Types 'SPCO' - Mining

CURRENT RATINGS	120V		240V	
AC	Make	Break	Make	Brake
	60A	6A	30A	3A
	Continuous carrying current 10A			
Make or Break Ratings				
DC	125V		250V	
	0.55A		0.27A	
	Continuous carrying current 2.5A			



## ordering details

GROUP	DESCRIPTION	PART NUMBER
I	SL TYPE SP 1N.C. 1N.O. SINGLE ENTRY 20MM	443S-S561061
	SL TYPE SP 1N.C. 1N.O. DOUBLE ENTRY SPIGOTTED GLAND 1"	443S-S561151
II	SL TYPE SP 1N.C. 1N.O. SINGLE ENTRY 20MM	443S-S561500
	SPCO TYPE SINGLE ENTRY 20MM	443S-S561508

