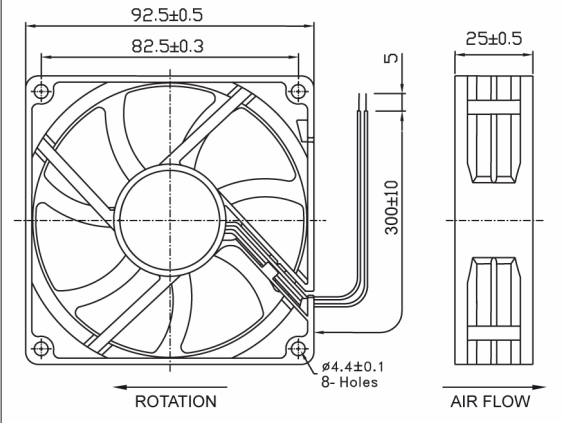
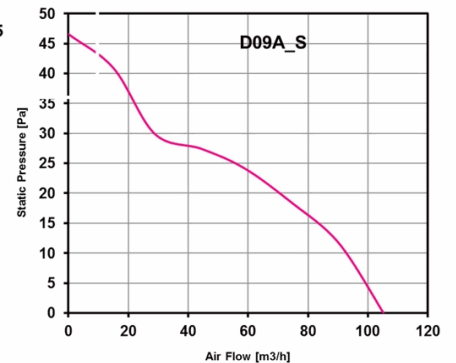
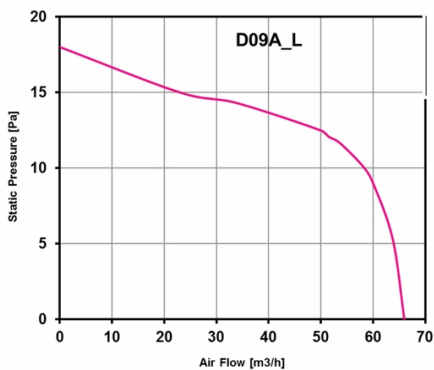
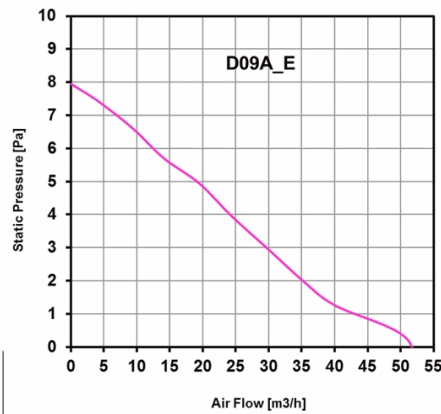
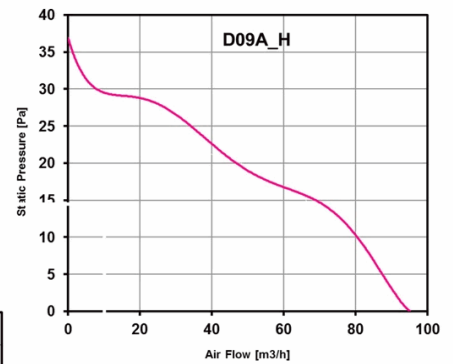
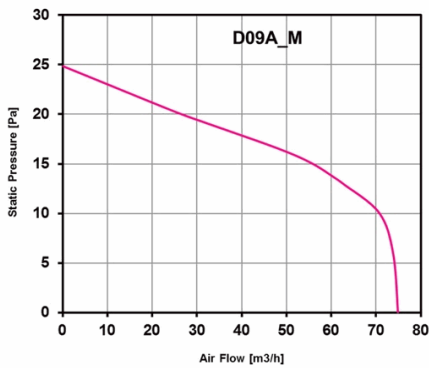


**"D09AZ" SERIES COSTECH FANS**

Description: c.c. axial fan 92x92x25 mm



<b>Casing material:</b>	Black fibreglass reinforced plastic (PBT) UL 94V-0
<b>Impeller material:</b>	Black fibreglass reinforced plastic (PBT) UL 94V-0
<b>Protection degree:</b>	IP20, according to EN 60529 standard
<b>Fixing system:</b>	by No. 4 M4 screws
<b>Motor protection:</b>	by impedance
<b>Storage temperature:</b>	from -40°C to +70°C
<b>Rated temperature range:</b>	from -10°C to +70°C
<b>Lifetime L10 at 40°C:</b>	70,000 h
<b>Electrical connection:</b>	3 leads 24AWG UL 1007, 300 mm long
<b>Approvals:</b>	UL E223195
<b>Weight:</b>	92 g



All specifications, data and drawing are subject to change without notice and are approximate. Please refer to our terms of sales including our warranty and limited liabilities clause

Model	Bearing	Voltage	Rated Current	Rated Power	Max Air Flow**	Static Pressure	Noise	RPM	Approvals
		(V)	(A)	(W)	(m3/h)	(Pa)	[db(A)]	(rpm)	
D09A04EWBZ00	Ball	12 V d.c.	0.090	1.08	51	8	19.1	1,600	CE; cURus
D09A04HWPBZ00	Ball	12 V d.c.	0.250	3.0	95	37	37.5	2,900	CE; cURus
D09A04HWSZ00	Sleeve	12 V d.c.	0.250	3.0	95	37	37.5	2,900	CE; cURus
D09A04LWPBZ00	Ball	12 V d.c.	0.130	1.6	66	18	27.5	2,100	CE; cURus
D09A04LWSZ00	Sleeve	12 V d.c.	0.130	1.6	66	18	27.5	2,100	CE; cURus
D09A04MWPBZ00	Ball	12 V d.c.	0.170	2.0	76	25	31.2	2,400	CE; cURus
D09A04MWSZ00	Sleeve	12 V d.c.	0.170	2.0	76	25	31.2	2,400	CE; cURus
D09A04SWPBZ00	Ball	12 V d.c.	0.390	4.7	105	47	39.4	3,300	CE; cURus
D09A04SWSZ00	Sleeve	12 V d.c.	0.390	4.7	105	47	42.2	3,300	CE; cURus
D09A05HWPBZ00	Ball	24 V d.c.	0.150	3.6	95	36	37.5	2,900	CE; cURus
D09A05HWSZ00	Sleeve	24 V d.c.	0.150	3.6	87	34	35.4	2,900	CE; cURus
D09A05LWPBZ00	Ball	24 V d.c.	0.080	1.9	66	18	28.7	2,000	CE; cURus
D09A05LWSZ00	Sleeve	24 V d.c.	0.080	1.9	66	18	28.7	2,000	CE; cURus
D09A05MWPBZ00	Ball	24 V d.c.	0.121	2.9	76	25	31.2	2,400	CE; cURus
D09A05MWSZ00	Sleeve	24 V d.c.	0.121	2.9	76	25	31.2	2,400	CE; cURus
D09A05SWPBZ00	Ball	24 V d.c.	0.210	5.0	105	47	42.2	3,300	CE; cURus
D09A05SWSZ00	Sleeve	24 V d.c.	0.210	5.0	105	47	42.2	3,300	CE; cURus