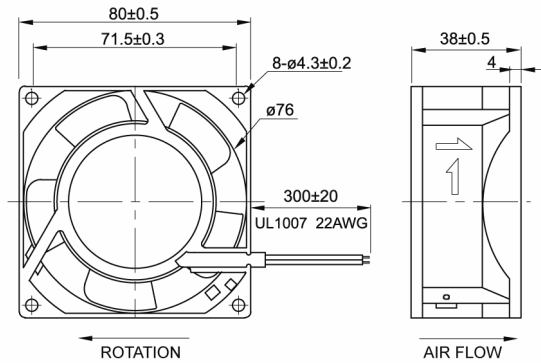


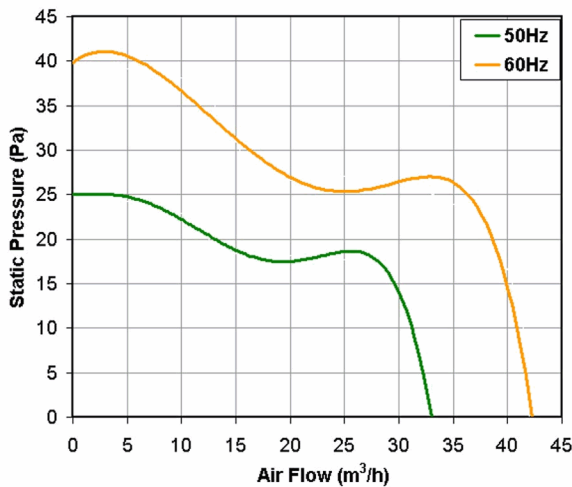
"A08BF" SERIES COSTECH FANS

Description: **Axial fan a.c. 80x80x38mm**

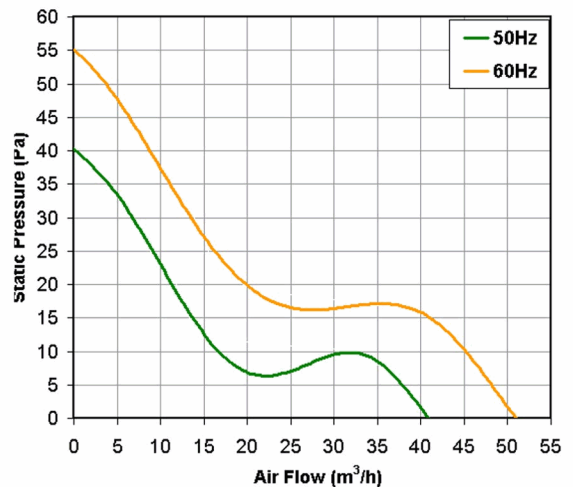


Casing material:	Black varnished aluminum
Impeller material	Black fibreglass reinforced plastic (PBT PC) UL 94V-0
Protection degree:	IP20, according to EN 60529 standard
Fixing system:	by No 4 M4 screws
Motor protection:	Impedance
Storage temperature:	from -40°C to +80°C
Rated temperature range:	from -40°C to +70°C
Lifetime L10 at 40°C:	over 40,000 h
Electrical connection:	2 leads 22AWG UL 1007, 300 mm long.
Approvals:	UL E223195
Weight:	0.28 kg

A08B_L



A08B_H



Model	Bearing	Voltage	Frequency	Rated Current	Rated Power	Max Air Flow**	Static Pressure	Noise	RPM	Approvals
		(V)	(Hz)	(A)	(W)	(m3/h)	(Pa)	[db(A)]	(rpm)	
A08B12HWBF00	Ball	115 V a.c.	50/60	0.140/0.120	14/12	41/51	40/55	32.0/36.0	2,500/3,000	CE; cURus
A08B12HWSF00	Sleeve	115 V a.c.	50/60	0.140/0.120	14/12	41/51	40/55	32.0/36.0	2,500/3,000	CE; cURus
A08B12LWBF00	Ball	115 V a.c.	50/60	0.120/0.100	12/9.0	33/42	25/40	28.0/32.0	1,900/2,400	CE; cURus
A08B12LWSF00	Sleeve	115 V a.c.	50/60	0.120/0.100	12/9.0	33/42	25/40	28.0/32.0	1,900/2,400	CE; cURus
A08B23HWBF00	Ball	230 V a.c.	50/60	0.070/0.060	14/12	41/51	40/55	32.0/36.0	2,500/3,000	CE; UR
A08B23HWSF00	Sleeve	230 V a.c.	50/60	0.070/0.060	14/12	41/51	40/55	32.0/36.0	2,500/3,000	CE; UR
A08B23LWBF00	Ball	230 V a.c.	50/60	0.060/0.050	14/12	33/42	25/40	28.0/32.0	1,900/2,400	CE; UR
A08B23LWSF00	Sleeve	230 V a.c.	50/60	0.060/0.050	14/12	33/42	25/40	28.0/32.0	1,900/2,400	CE; UR

All specifications, data and drawing are subject to change without notice and are approximate. Please refer to our terms of sales including our warranty and limited liabilities clauses.