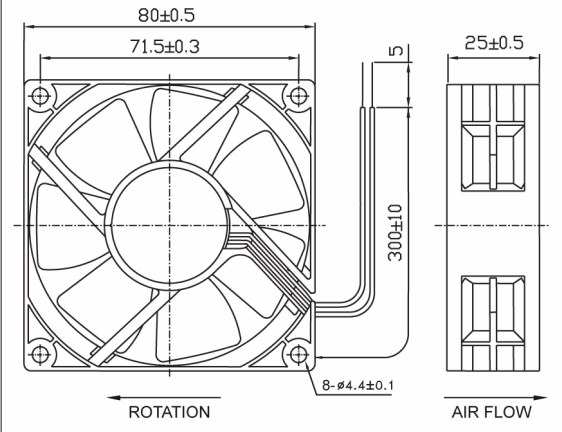
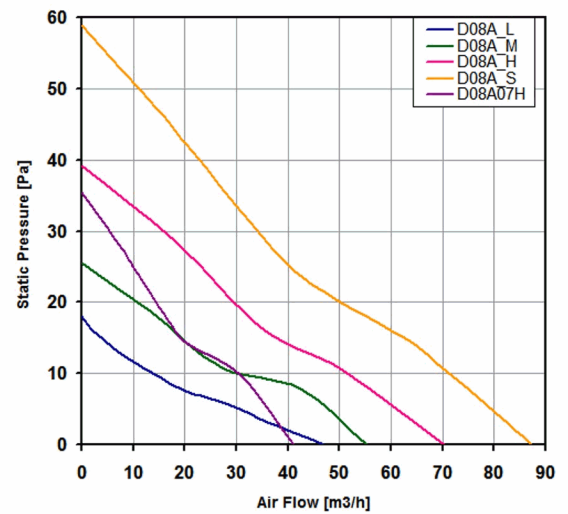


"D08AA" SERIES COSTECH FANS

Description: c.c. axial fan 80x80x25 mm



Casing material:	Black fibreglass reinforced plastic (PBT) UL 94V-0
Impeller material	Black fibreglass reinforced plastic (PBT) UL 94V-0
Protection degree:	IP20, according to EN 60529 standard
Fixing system:	by No 4 M4 screws
Motor protection:	by impedance and by IC for super high speed
Storage temperature:	from -40°C to +70°C
Rated temperature range:	from -10°C to +70°C
Lifetime L10 at 40°C:	70,000 h
Electrical connection:	2 leads 24AWG UL 1007, lenght 300 mm
Approvals:	UL E223195
Weight:	86g



Model	Bearing	Voltage	Rated Current	Rated Power	Max Air Flow**	Static Pressure	Noise	RPM	Approvals
		(V)	(A)	(W)	(m3/h)	(Pa)	[db(A)]	(rpm)	
D08A05HWBA00	Ball	24 V d.c.	0.160	3.8	70	39	36.2	3,200	CE; UR
D08A05HWHA00	Hypro	24 V d.c.	0.160	3.8	70	39	36.7	3,200	CE; UR
D08A05HWSA00	Sleeve	24 V d.c.	0.160	3.8	70	39	36.7	3,200	CE; UR
D08A05LWBA00	Ball	24 V d.c.	0.090	2.2	43	17	22.7	2,000	CE; cURus
D08A05LWHA00	Hypro	24 V d.c.	0.090	2.2	43	17	22.7	2,000	CE; UR
D08A05LWSA00	Sleeve	24 V d.c.	0.090	2.2	43	17	22.7	2,000	CE; UR
D08A05MWBA00	Ball	24 V d.c.	0.100	2.4	55	25	29.4	2,500	CE; cURus
D08A05MWHA00	Hypro	24 V d.c.	0.110	2.6	55	25	29.4	2,500	CE; cURus
D08A05MWSA00	Sleeve	24 V d.c.	0.110	2.6	55	25	29.4	2,500	CE; cURus
D08A05SWBA00	Ball	24 V d.c.	0.260	6.2	87	59	40.8	3,900	CE; cURus
D08A05SWHA00	Hypro	24 V d.c.	0.260	6.2	87	59	40.9	3,900	CE
D08A05SWSA00	Sleeve	24 V d.c.	0.260	6.2	89	66	40.8	3,900	CE; cURus
D08A07HWBA00	Ball	48 V d.c.	0.110	5.3	40	35	35.2	3,000	CE; UR