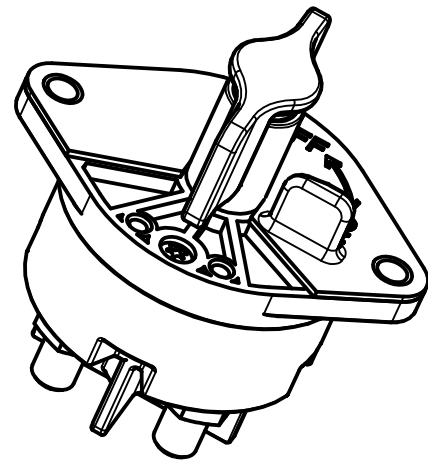


Technical Data

Case Material: Cover.....Vyncolit black
 Base Plate.....PA GF black
 Key Plate.....PA GF red
 Switch Lever Material.....PA GF red
 Min. Insulation Resistance.....100 MOhm
 Dielectric Withstanding Voltage.....1050V-1min.
 Max. Contact Drop during Resistive Load..150mV
 Voltage.....to 32 VDC
 Duty Rating.....2x500A
 Overload.....2x2000A-1.5min.
2x2500A-10sec.
 Sealing.....IP 67 / IEC 529
 Vibration.....10G, 18-500Hz
 Shock G-Level.....50G, 11ms
 Duty Shock-6000Zyklen.....40G, 6ms
 Weight.....ca. 650g
 Temperature Range.....-40°C to +85°C
 Wire Section (At Nominal Load).....min. 250mm²
 Mounting position.....optional
 Switch Lever.....not removeable
lockable in "OFF" position
not lockable in "ON" position
 Max. Torque (Main Contacts).....18-22 Nm



	Date	Name	mm	Scale		Drawing No:
Drawn	02.07.2009	Grind		1:2		35-524-231-R-900
Check	06.03.2013	Grind	General Tolerances	DIN ISO 2768 cL		NSN: