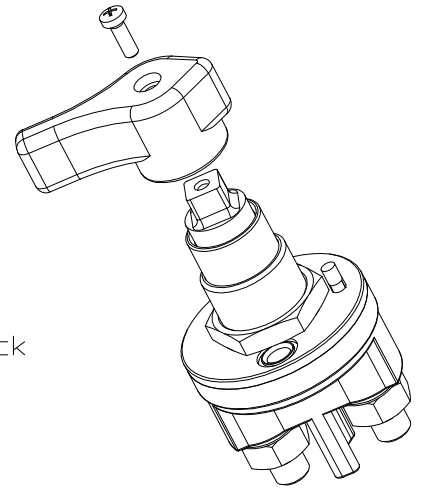
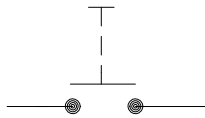


Circuit



Technical Data:

Case Material	PA GF black
Switch Lever Material	PA GF red
Min. Insulation Resistance	100M Ω hm
Dielectric Withstanding Voltage	1050V-1min.
Max. Contact Drop during Resistive Load	150mV
Voltage	to 32VDC
Duty Rating	200A
Overload	500A-180sec.
.....	1000A-30sec.
Sealing	IP 6K9K/ IEC 60529
Vibration	4G / 50-2000Hz
Shock G-Level	6G / 11ms
Weight	~260g / ~0.57 Pound
Temperature Range	-40°C to +85°C
Wire Section (at nominal Load)	min. 70mm ²
Switch Lever	not removeable
Max. Torque (Main Contacts)	15-20Nm

	Date	Name	mm	Scale
Drawn	20.04.2005	Mielk		1:1
Check	25.06.2018	Grind	General Tolerances DIN ISO 2768 mK	



Drawing No:

35-213-151-R

NSN: