

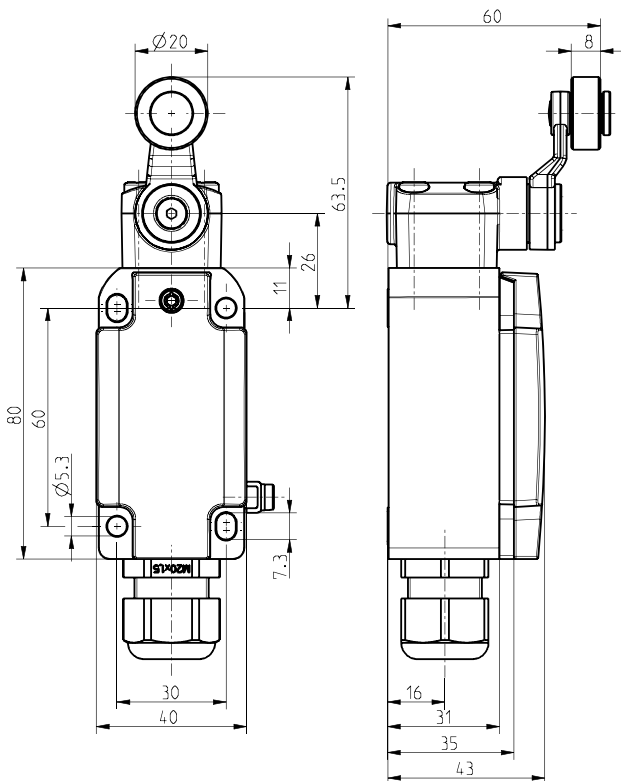


Ex position switch with safety function Ex ES 98 D-11 -40°C Material number: 1400733

Features/Options:

- Ex zone 1 and 21
- Cold-resistant down to -40 °C
- Metal enclosure
- Design to EN 50041
- Wiring compartment
- Actuator: Rocking lever D
- Actuator type A to EN 50041
- Actuating speed max. 2.5 m/s with a vertical actuating angle of 30°
- Wear-resistant plastic roller
- Lever angle adjustable in 10° steps
- Actuator can be repositioned by 4 x 90°
- N.B.: Please state required approvals for Russia and Brazil with your order!

Dimensions



Technical data

| | |
|------------------------------|---|
| Standards | EN 60947-5-1; EN 60079-0, EN 60079-1, EN 60079-7, EN 60079-14, EN 60079-31; EN ISO 13849-1; EN ISO 14119 |
| Design | EN 50041 |
| Enclosure | Corrosion-resistant aluminium, powder-coated, similar to RAL 7016 |
| Cover | Stainless steel 1.4401, powder-coated, similar to RAL 1003 |
| Switch type | type 1 |
| Coding level | no coding |
| Degree of protection | IP 66 to IEC/EN 60529 |
| Contact material | silver |
| Switching system | slow action, positive break NC contacts ⊖ |
| Switching elements | 1 NC/1 NO contact, type Zb |
| Connection | screw connection terminals, min. 0,75 mm ² AWG 18, max. 1,5 mm ² AWG 16, incl. conductor ferrules |
| Cable entry | 1 x M20 x 1.5 for cable diameter 5 ... 9 mm |
| B _{10d} (10 % Load) | 2 million |
| T _M | max. 20 years |
| U _{imp} | 4 kV |
| U _i | 250 V |
| I _e | max. 4.4 A T6 / max. 6.6 A T5 |
| U _e | max. 250 VAC; 125 VDC |
| Utilisation category | AC-15; DC-13 |



Ex position switch with safety function

Ex ES 98 D-11 -40°C

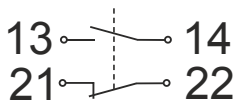
Material number: 1400733

Technical data

| | |
|-------------------------------------|---|
| Max. fuse rating | 6 A gG/gN fuse |
| Ambient temperature | T6: - 40° C ... + 70° C (max. 4.4 A) T5: - 40° C ... + 70° C (max. 6.6 A) |
| Mechanical life | > 1 million operations |
| Operation cycles | 1800/h |
| Repeat accuracy of switching points | ± 0.1 mm |
| Impact energy | max. 7 J |
| Ex marking | ⊕ II 2G Ex de IIC T6/T5 Gb, ⊕ II 2D Ex tb IIIC T80 °C/T95 °C Db IECEX Ex de IIC T6/T5 Gb, Ex tb IIIC T80 °C/T95 °C Db |
| Approvals | DMT 01 ATEX E 178 IECEX BVS 07.0014 |



Contact diagram



Switching diagram

