



Ex position switch with safety function

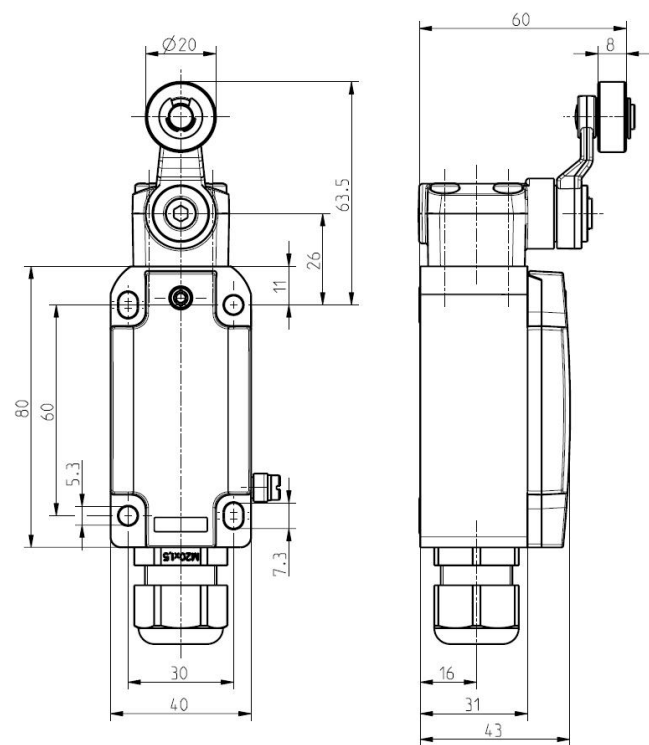
Ex ES 98 D-02 -40°C

Material-Nr.: 1400737

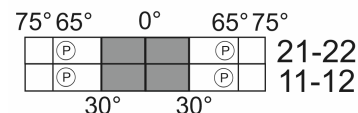
Features/Options

- Ex zone 1 and 21
- Cold-resistant down to -40 °C
- Metal enclosure
- Design to EN 50041
- slow action \ominus , 2NC contacts with double break
- Wiring compartment
- Actuator: Rocking lever D
- Actuator type A to EN 50041
- Actuating speed max. 2.5 m/s with a vertical angle of 30°
- Wear-resistant plastic roller
- Lever angle adjustable in 10° steps
- Actuator can be repositioned by 4 x 90°

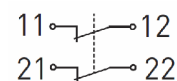
Dimensions



Switching diagram



Contact diagram



Technical Data

Standards	EN 60947-5-1; EN 60079-0, EN 60079-1, EN 60079-7, EN 60079-31; EN ISO 13849-1; EN ISO 14119
Design	EN 50041
Enclosure	Corrosion-resistant aluminium, powder-coated, similar to RAL 7016
Cover	Stainless steel 1.4401, powder-coated, similar to RAL 1003
Switch type	Type 1
Degree of protection	IP 66 to IEC/EN 60529
Contact material	silver
Switching system	slow action, positive break
Switching elements	NC contacts \ominus 2 NC contacts with double break Zb, galvanically separated contact bridges
Connection	screw connection terminals
Cable cross-section	max. 1.5 mm ² (incl. conductor ferrules)
Cable entry	1x M20 x 1.5 for Cable diameter 5 ...9 mm
B10d (10% Load)	2 million
T_m	max. 20 years
U_{imp}	4kV
U_i	250V
I_e	max. 4.4 A T6 / max. 6.6 A T5
U_e	max. 250 VAC; 125 VDC
Utilisation category	AC-15; DC-13
Max. fuse rating	6A gG/gN-fuse
Ambient temperature	T6: - 40° C ... + 70° C; T5: - 40° C ... + 70° C
Mechanical life	> 1 million operations
Frequency of operation	1800/h
Repeat accuracy of switching points	±0.1 mm
Ex-marking	II 2G Ex de IIC T6/T5 Gb, II 2D Ex tb IIIC T80 °C/T95 °C Db IECEx Ex de IIC T6/T5 Gb, Ex tb IIIC T80 °C/T95 °C Db
Approvals	DMT 01 ATEX E 178 IECEx BVS 07.0014