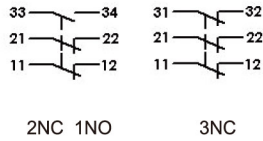


Standard Duty Emergency Stop Switches-Types: ES-P & ES-SS 3pole

IDEM Standard Duty Emergency Stop Switches are designed to provide robust Emergency Stop protection for exposed conveyors or machines.

3 pole contact blocks provide positively operated switch contacts.



Type ES-P (Plastic)

Knock out for plastic version



Type ES-SS (Stainless Steel)



Type ES-SS(P) (Stainless Steel)
with button protection shroud and padlock holes



Features:

Plastic bodies (IP67) or Stainless Steel 316 (IP69K)

Conformance to ISO 13850, IEC 60947-5-1 and IEC 60947-5-5

A special lid safety trip mechanism means that the safety contacts will open if the lid is removed.

Button protection shroud version with padlock holes for 'Lock off' in maintenance situations

Sales Number	Type	Conduit Entry	Contacts
230001	ES - P	Knockout M20/1/2"NPT	2NC 1NO
230002	ES - P	Knockout M20/1/2"NPT	3NC

Sales Number	Type	Conduit Entry	Contacts
231001	ES - SS	M20	2NC 1NO
231002	ES - SS	1/2" NPT	2NC 1NO
231003	ES - SS	M20	3NC
231004	ES - SS	1/2" NPT	3NC

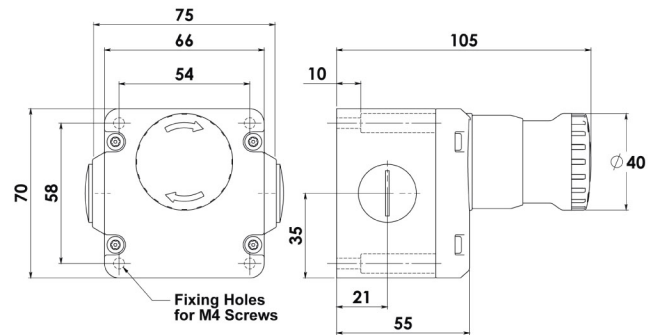
Sales Number	Type	Conduit Entry	Contacts
231005	ES - SS(P)	M20	2NC 1NO
231006	ES - SS(P)	1/2" NPT	2NC 1NO
231007	ES - SS(P)	M20	3NC
231008	ES - SS(P)	1/2" NPT	3NC

Gold Plated Contacts available for low power circuits (5V. 5mA).
Add GC to Part Number e.g. 230001-GC

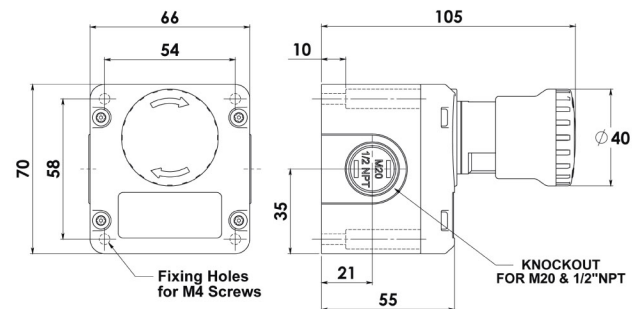
Standards: IEC 60947-5-1 IEC 60947-5-5 EN954-1 EN62061
UL508 ISO13850 ISO13849-1

Safety Classification and Reliability Data:

Mechanical Reliability B10d	1.5 x 10 ⁶ operations at 100mA load up to Category 4 with Safety Relay
EN 954-1	up to PLe depending upon system architecture
ISO 13849-1	up to SIL3 depending upon system architecture
EN 62061	8 cycles per hour / 24 hours per day / 365 days
Safety Data - Annual Usage PFHd	<1.0 x 10 ⁻⁷
Proof Test Interval (Life) MTTFd	21 years / 214 years
Enclosure / Cover	Polyester or Stainless Steel 316
IP Rating	IP67 Plastic IP69K Stainless Steel
Mounting	4 x M4
Mounting position	Any
Conduit entries	2 x M20 or 2 x 1/2" NPT by part number - Knock out for plastic version
Torque settings	Mounting M4 4.0 Nm Lid T20 Torx M4 1.5 Nm Terminals 1.0 Nm
Ambient Temperature	-25C +80 C.
Vibration resistance	10-500Hz 0.35mm
Shock resistance	15g 11ms
Weight	250g / 1000 g.
Contact type	IEC 947-5-1 Double break Type Zb Snap Action up to 3NC (positive break) 1NO (Auxiliary)
Contact Material	Silver
Termination	Clamp up to 2.5 sq. mm conductors
Rating	Utilisation Category : AC15
Operational Rating	240V. 3A.
Thermal Current (Ith)	10A.
Rated Insulation Voltage (Ui)	500V.
Withstand Voltage (Uimp)	2500V.
Short Circuit Overload Protection	Fuse Externally 10A. (FF)



TYPE: ES-SS(STAINLESS STEEL)



TYPE: ES-P