

**Safety Relay on DIN-rail SR2 Z**

- 2 pole 6 A
- SR2M on printed circuit board
- Spring connectors
- RoHS compliant (Directive 2002/95/EC)

**Applications**

Elevator control, machine control



**Approvals**



Technical data of approved types on request

**Contact data**

Contact set	single contact, forcibly guided type A <sup>1</sup> according to EN50205
Rated current / limiting continuous current	6 A
Rated voltage / max. switching voltage AC	240 VAC / 240 VAC
Maximum breaking capacity AC	1500 VA
Contact material	AgNi
Minimum contact load	10 mA / 5 V
Contact resistance	≤100 mOhm / 1 A / 24 VDC ≤20 Ohm / 10 mA / 5 VDC
Mechanical endurance	10x10 <sup>6</sup> cycles
Rated frequency of operation with 7 without load	6 min <sup>-1</sup> / 300 min <sup>-1</sup>

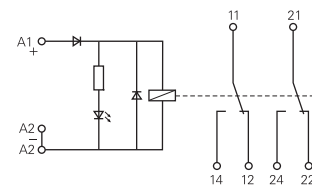
**Coil data**

DC energizing voltage Urtd	24 VDC
Input circuit	LED
Minimum operate voltage, % of rated coil voltage	90%
Minimum release voltage (+23°C), % of rated coil voltage	10%
Limiting voltage, % of rated coil voltage	110%

**Insulation**

Surge voltage resistance coil-contacts	4000 V <sub>rms</sub>
open contact circuit	1000 V <sub>rms</sub>
adjacent contacts	2000 V <sub>rms</sub>
Clearance / creepage coil-contact	≥ 8 / 8 mm
adjacent contacts	≥ 3 / 3 mm
Insulation to IEC 60664	
Voltage rating	250 V
Pollution degree	2
Overvoltage category	III

**Terminal assignment**



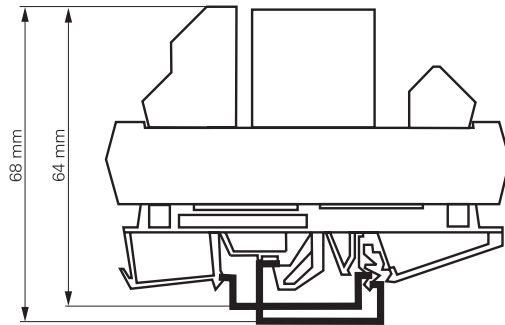
<sup>1)</sup> According to EN50205 only 1NO / 1NC (11-14 and 22-21 or 12 -11 and 21 - 24) shall be used as forcibly guided contacts.

**Other data**

RoHS - Directive 2002/95/EC	compliant
Flammability class according to UL 94	
housing	V2
housing cage clamp terminals	V0
PCB	V0
relay base	V0
relay cover	V2
Ambient temperature	-25...+50 °C
Connections (according IEC)	
solid wire	0.2...2.5 mm <sup>2</sup>
stranded wire	0.2...2.5 mm <sup>2</sup>
AWG 28...14	
Installation position	any
Mounting	in rows with zero spacing
Type of connection	spring clamp connection
Relay weight	50 g
Packaging unit	2 pcs

**Dimensions**

Module width 20 mm  
Module length 87 mm



Fit onto mounting rails according to DIN EN 50022 or DIN EN 50035

**Product key**

**S R 2 Z**    **Y**    **0 2 4**

Type

Contact configuration  
**Y** 2 CO contacts

Coil

DC Coil code = rated coil voltage (e.g. 024=24VDC)

Other types on request