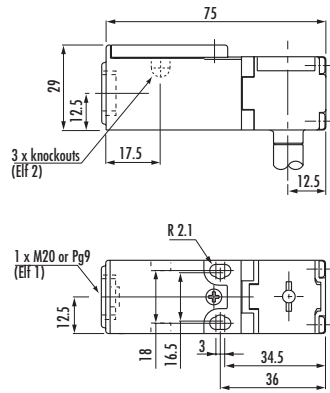


**Miniature Rotary Safety Switch, 'Sprite'**

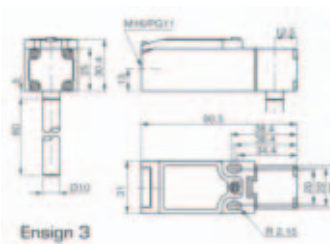


The Sprite is a miniature rotary, cam actuated safety switch designed to fit at the hinge point on smaller lightweight guards. Rotatable head allows four different mounting positions. Adjustable cam allows slight adjustment to alter switching sensitivity. Available with 1 x N/C safety contact .

Contact arrangement	1 N/C
Contact rating	1A at 500VAC, 2A at 250VAC, 5A at 100VAC
Temperature	-20°C to +80°C
IP Rating	IP67
Housing material	Glass reinforced PTB (UL approved)
Actuator shaft	Stainless steel
Conforms to standards	EN60947-5-1, EN1088, EN292, EN60204-1
Conduit entry	M16
Operating position	On centre line of pivot of door

Stock No.	Manf Ref'	Type	Unit Price		
			1-4	5-9	10-24
5106513	440H-S34012	2 N/C 80 x 10mm	14.00	13.65	13.30
5106514	440H-S34021	1 N/O + 1 N/C 80 x 10mm	14.00	13.65	13.30

**Compact Rotary Safety Switch, 'Ensign'**

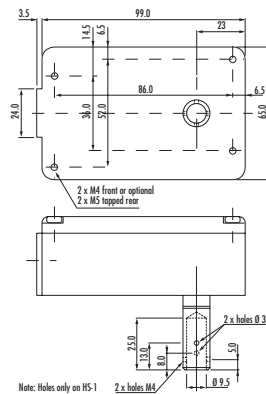


The Ensign is a compact rotary actuated safety switch designed to fit at the hinge point on light duty guard doors. Rotatable head allows four different mounting positions. Adjustable cam allows slight adjustment to alter switching sensitivity. Available with 1 N/C safety contact + 1N/O auxiliary contact or 2 N/C safety contacts .

Contact arrangement	1 N/C+1 N/O or 2 N/C
Contact rating	1A at 500VAC, 2A at 250VAC, 5A at 100VAC
Temperature	-20°C to +80°C
IP Rating	IP67
Housing material	Glass reinforced PTB (UL approved)
Actuator shaft	Stainless steel
Conforms to standards	EN60947-5-1, EN1088, EN292, EN60204-1
Conduit entry	3 x M16
Operating position	On centre line of pivot of door
Optional quick-fit mounting plate available, ideal for 25mm sq tubing	

Stock No.	Manf Ref'	Type	Unit Price		
			1-4	5-9	10-24
5106778	440H-E22025	3 N/C 80 x 10mm	16.00	15.60	15.20
5106777	440H-E22027	2 N/C 80 x 10mm	16.00	15.60	15.20

**Heavy Duty Rotary Safety Switch, 'Rotacam'**

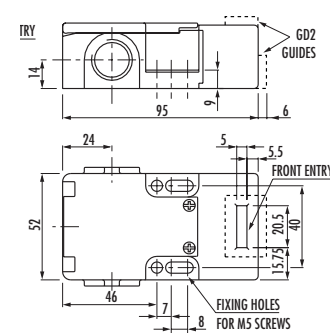


The Rotacam is a robust heavy duty rotary actuated safety switch designed to fit at the hinge point of guards. The shaft is strong enough to be utilised as, or connected to, the existing hinge pin. Switch isolates power with just 5° of door movement, adjustable cam allows switching adjustment to 11°. Available with 2 N/C safety contacts + 1N/O auxiliary contact.

Contact arrangement	2 N/C+1 N/O
Contact rating	1A at 500VAC, 2A at 250VAC, 5A at 100VAC
Temperature	-25°C to +80°C
IP Rating	IP66
Housing material	Heavy duty die-cast alloy
Actuator shaft	Stainless steel
Conforms to standards	EN60947-5-1, EN1088, EN292, EN60204-1
Conduit entry	M20
Operating position	On centre line of pivot of door

Stock No.	Manf Ref'	Type	Unit Price		
			1-4	5-9	10-24
5105331	440H-R03074	2 N/C + 1 N/O 30 x 16mm HOLLOW	27.00	26.33	25.65

**Universal Safety Switch 'Trojan 5', Hazardous areas**



The Trojan 5 Ex safety interlock switch is designed for potentially explosive atmospheres. It features a sealed flameproof contact block, making it suitable for use in zone 1 and zone 2 environments normally found in chemical/petrochemical, powder, pressurised container filling and oil/gas processing industries. Supplied with standard actuator.

Contact arrangement	2 N/C (safety)
Contact rating	1A at 500VAC, 2A at 250VAC, 5A at 100VAC
Temperature	-20°C to +80°C
IP Rating	IP67
Housing material	Glass reinforced PTB (UL approved)
Actuator material	Stainless steel
Conforms to standards	EN60947-5-1, EN1088, EN292, EN60204-1
Certification	EExd IIC T6
Connections	Pre-wired 4 core x 0.75mm <sup>2</sup> cable, 2M
Flexible actuators and replacements are available. Please enquire.	
Available with longer cable lengths if required.	

Stock No.	Manf Ref'	Type	Unit Price		
			1-4	5-9	10-24
5105706	440K-H11145	2M PRE-WIRED	105.00	102.38	99.75