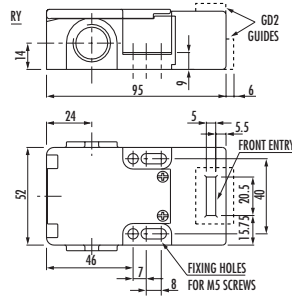


**Universal Safety Switch  
'Trojan 5'**

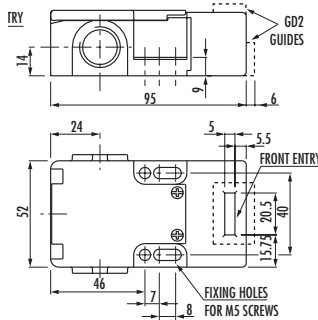
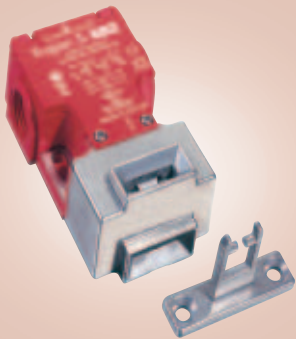


The Trojan 5 is a general purpose tongue operated safety interlock switch designed to fit the leading edge of sliding door, hinged or lift off guards. With its dual entry slots and rotatable head, the Trojan 5 can offer upto 8 different actuator entry options. Conduit entry via M16. Supplied with actuator.

Contact arrangement 2 N/C + 1N/O BBM  
 Contact rating thermal 10A Max, 5mA min at 5V  
 Contact rating AC-15 1.4A (500Vac), 6A (120Vac)  
 Temperature -20 to +80 Deg C  
 IP rating IP67  
 Housing material Glass filled polyester  
 Approvals UL, CE  
 Dimensions mm 95 x 52 x 32

Stock No.	Manf Ref'	Type	Unit Price		
			1-4	5-9	10-24
5105676	440K-A11090	2 N/C + 1 N/O INC STANDARD ACTUATOR	20.00	19.50	19.00
5105688	440K-T11467	2 N/C + 1 N/O INC FULLY FLEXIBLE ACTUATOR	23.00	22.43	21.85
5105685	440K-A11095	SPARE STANDARD ACTUATOR	3.00	2.93	2.85
5106168	440K-A27010	FULLY FLEXIBLE ACTUATOR AND GUIDE	8.00	7.80	7.60

**Universal Safety Switch  
'Trojan 5 GD2'**

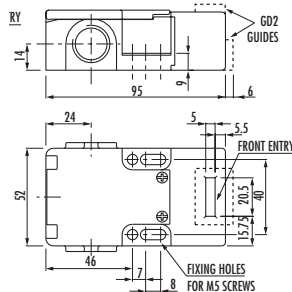


The Trojan 5 GD2 is a more robust version of the standard Trojan 5 with integral stainless steel guides. With its dual entry slots and rotatable head, the Trojan 5 GD2 can offer upto 8 different actuator entry options. Conduit entry via M16. Supplied with actuator.

Contact arrangement 2 N/C + 1 N/O BBM  
 Contact rating thermal 10A Max, 5mA min at 5V  
 Contact rating AC-15 1.4A (500Vac), 6A (120Vac)  
 Temperature -20 to +80 Deg C  
 IP rating IP67  
 Housing material Glass polyester/stainless guide  
 Approvals UL, CE  
 Dimensions mm 101 x 52 x 36

Stock No.	Manf Ref'	Type	Unit Price		
			1-4	5-9	10-24
5105724	440K-T11336	2 N/C + 1 N/O INC STANDARD ACTUATOR	23.00	22.43	21.85
5106171	440K-A27011	SPARE STANDARD GD2 ACTUATOR	4.00	3.90	3.80

**Universal Safety Switch  
'Trojan 6'**



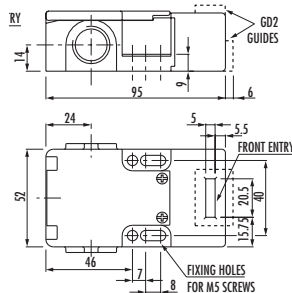
The Trojan 6 is a general purpose tongue operated safety interlock switch designed to fit the leading edge of sliding door, hinged or lift off guards. With its dual entry slots and rotatable head, the Trojan 6 can offer upto 8 different actuator entry options. Conduit entry via M16. Supplied with actuator.

Contact arrangement 3 N/C + 1 N/O BBM  
 Contact rating thermal 10A Max, 5mA min at 5V  
 Contact rating AC-15 1.4A (500Vac), 6A (120Vac)  
 Temperature -20 to +80 Deg C  
 IP rating IP67  
 Housing material Glass filled polyester  
 Approvals UL, CE  
 Dimensions mm 95 x 52 x 32

Connections not shown

Stock No.	Manf Ref'	Type	Unit Price		
			1-4	5-9	10-24
5105700	440K-T11171	3 N/C + 1 N/O INC STANDARD ACTUATOR	35.00	34.13	33.25
5105670	440K-T11441	4 N/C INC STANDARD ACTUATOR	30.00	29.25	28.50
5105685	440K-A11095	SPARE STANDARD ACTUATOR	3.00	2.93	2.85
5106168	440K-A27010	FLEXIBLE ACTUATOR AND GUIDE	8.00	7.80	7.60

**Universal Safety Switch  
'Trojan 6 GD2'**



The Trojan 6 GD2 is a more robust version of the standard Trojan 6 with integral stainless steel guides. With its dual entry slots and rotatable head, the Trojan 6 GD2 can offer upto 8 different actuator entry options. Conduit entry via M16. Supplied with actuator.

Contact arrangement 2 N/C + 1 N/O BBM  
 Contact rating thermal 10A Max, 5mA min at 5V  
 Contact rating AC-15 1.4A (500Vac), 6A (120Vac)  
 Temperature -20 to +80 Deg C  
 IP rating IP67  
 Housing material Glass polyester/stainless guide  
 Approvals UL, CE  
 Dimensions mm 101 x 52 x 36

Connections not shown

Stock No.	Manf Ref'	Type	Unit Price		
			1-4	5-9	10-24
5105727	440K-T11418	3 N/C + 1 N/O INC STANDARD GD2 ACTUATOR	37.00	36.08	35.15
5105733	440K-T11448	4 N/C INC STANDARD GD2 ACTUATOR	34.00	33.15	32.30
5106171	440K-A27011	SPARE STANDARD GD2 ACTUATOR	4.00	3.90	3.80