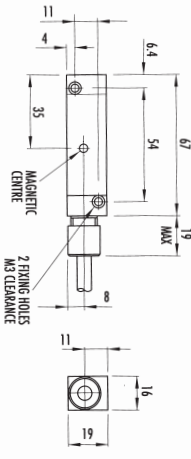


**Magnetic Proximity Switch  
Maglock MPS14**



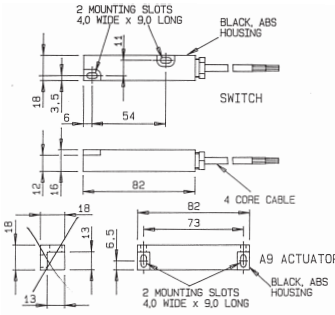
A robust magnetically actuated reed switch with a single pole changeover contact. Standard housing manufactured from stainless steel.

Contact arrangement	1 changeover
Contact material	Tungsten
Max. volts	250 AC/DC
Max. current	1.25 Amp AC/DC, resistive
Switching Power	20W/VA max, 3W/VA min
Housing	Stainless steel
Fixings	2 x M3
IP Rating	IP 68
Temperature	-10°C to +80°C
Connection type	Pre-wired flexible PVC 3 core, 3M N/O-blue, N/C-brown, common-black
Operating distance	Magnet A2=6mm, A3=19mm, A6=47mm

Please order magnets separately.

Stock No.	Manf Ref <sup>1</sup>	Type	Unit Price		
			1-4	5-9	10+
1912432	440SM-565065	MPS14 S/S	135.07	131.02	126.97

**Engine Compartment  
Interlock Switch**

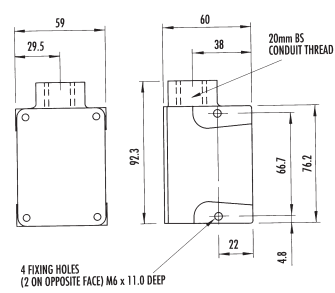


A magnetically actuated reed switch with one normally open and one normally closed contact available in a black ABS housing with tungsten contacts. Switch comes complete with magnetic actuator.

Contact arrangement	1 N/O & 1 N/C
Contact material	Tungsten
Max. volts	250 VDC
Max. current	1.5 Amp
Housing	Black ABS
Fixings	2 x M3
IP Rating	IP 68
Temperature	-10°C to +80°C
Connection type	Pre-wired flexible PVC 4 core, 3M N/O-blue & red, N/C-yellow & green
Operating distance	16mm
Differential	12mm

Stock No.	Manf Ref <sup>1</sup>	Type	Unit Price		
			1-4	5-9	10+
1913040	440SM-565663	BOOT SWITCH	70.46	68.35	66.23

**Reed Switch  
MPS1D1**

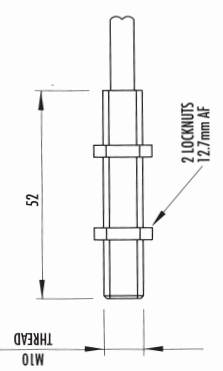
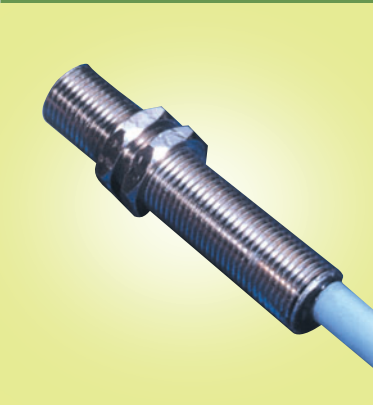


A magnetically actuated proximity switch baseefa certified as intrinsically safe EExia IIC T5, Q2ATEX 0120X. Available in Aluminium housing with magnet in position d only.

Contact arrangement	1 changeover
Contact material	Tungsten (Rhodium available)
Max. volts	250 AC/DC
Max. current	1.25 Amp AC/DC, resistive or inductive
Housing	Aluminium
Fixings	4 x M6
IP Rating	IP 65
Temperature	-10°C to +50°C
Connection type	20mm conduit entry
Operating distance	Magnet A2=10mm, A3=22mm, A6=48mm
Please order magnets separately.	

Stock No.	Manf Ref <sup>1</sup>	Type	Unit Price		
			1-4	5-9	10+
1912417	443SM-565033	MPS1/A/5	176.39	171.10	165.81

**Magnetic Proximity Switch  
ES1 End Sensor**



An end sensing magnetic reed switch housed in an M10 threaded tubular stainless body. Ask for ES3i for EX II1G Baseefa Q2ATEX 0120X approved version.

Contact arrangement	Single pole normally open
Contact material	Rhodium
Max. volts	250 DC/300 volts AC
Max. current	1 Amp AC/DC, resistive
Switching Power	15W/VA max
Housing	Stainless steel
IP Rating	IP 68
Temperature	-18°C to +80°C (up to +170°C available)
Connection type	Pre-wired flexible hi-temp PVC 2 core, 2M
Operating Distance	Magnet E3=30mm, E10=16mm

Please order magnets separately.

Stock No.	Manf Ref <sup>1</sup>	Type	Unit Price		
			1-4	5-9	10+
1912439	443SM-565095	ES1 S/S	54.30	52.67	51.04

<30