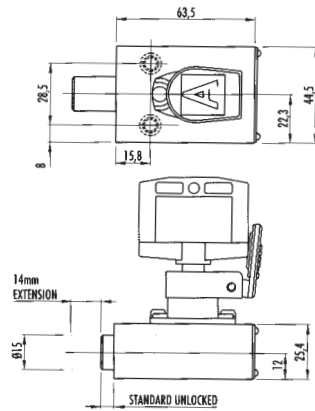


Single Key Bolt Interlock

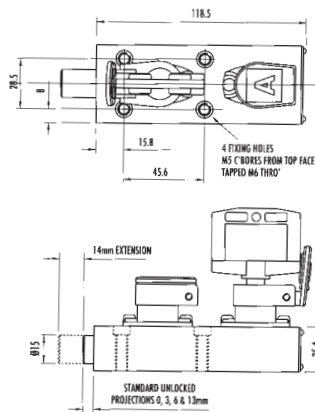
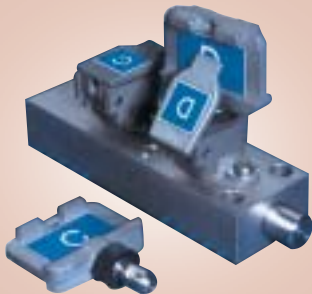


A single key bolt interlock used to lock on or off electrical equipment and as a interlock on sliding gates or hatches where partial body access is required. Featuring all stainless steel interlocking and coded parts, including coded barrel & internal components. Available in six different key code options A to F. Other key code options can be supplied upon request.

- Bolt projection 0mm (retracted), 14mm (projected)
- Bolt diameter 15mm
- Material Stainless steel
- Dust cap Stainless steel, weather proof
- Fixings 2 x M5 (top), 4 x M6 underneath
- Other options of bolt projection available
- Please order keys separately.

| Stock No. | Manf Ref' | Type | Unit Price |       |       |
|-----------|-----------|------|------------|-------|-------|
|           |           |      | 1-4        | 5-9   | 10-24 |
| 1912797   | SBLE10    | A    | 95.10      | 92.25 | 89.39 |
| 1912800   | SBLE10    | B    | 95.10      | 92.25 | 89.39 |
| 1912803   | SBLE10    | C    | 95.10      | 92.25 | 89.39 |
| 1912806   | SBLE10    | D    | 95.10      | 92.25 | 89.39 |
| 1912809   | SBLE10    | E    | 95.10      | 92.25 | 89.39 |
| 1912812   | SBLE10    | F    | 95.10      | 92.25 | 89.39 |

Dual Key Bolt Interlock

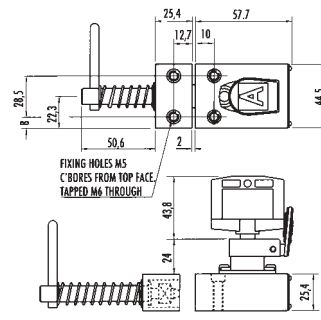


A dual key bolt interlock in a key exchange version, used as part of an interlocking system or to lock on or off electrical equipment e.g. high voltage compartments etc. Suitable for full body access with one key in/one key out, enabling operator to use secondary key as a personnel key, to avoid being locked in. Featuring all stainless steel interlocking and coded parts, including coded barrel & internal components. Other key code options can be supplied upon request.

- Bolt projection 0mm (retracted), 14mm (projected)
- Bolt diameter 15mm
- Material Stainless steel
- Dust cap Stainless steel, weather proof
- Fixings 4 x M5 (top), 4 x M6 underneath
- Other options of bolt projection available
- Supplied with one trapped primary key, included in price
- Please order secondary key separately.

| Stock No. | Manf Ref' | Type           | Unit Price |        |        |
|-----------|-----------|----------------|------------|--------|--------|
|           |           |                | 1-4        | 5-9    | 10-24  |
| 1912815   | DBLE10    | (A) IN (B) OUT | 176.90     | 171.59 | 166.29 |
| 1912818   | DBLE10    | (B) IN (C) OUT | 176.90     | 171.59 | 166.29 |

Single Key Access Interlock

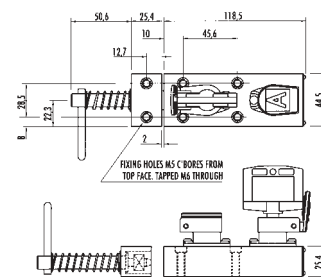
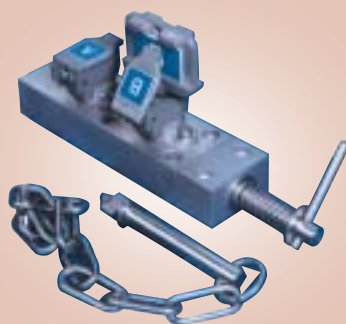


A single key access interlock with lever arm, used to interlock hatches, guards and doors where full body access is not required. All stainless steel construction and fitted with tamper resistant screws. Actuator arm is tolerant to misalignment ±10mm and retracts fully into the block protecting it from damage when guard is open. Available in six different key code options A to F. Other key code options can be supplied upon request.

- Material Stainless steel
- Dust cap Stainless steel, weather proof
- Fixings 4 x M5 (top), 4 x M6 underneath
- Side bracket 76mm (including bolt & spring)
- Please order keys separately.

| Stock No. | Manf Ref' | Type | Unit Price |       |       |
|-----------|-----------|------|------------|-------|-------|
|           |           |      | 1-4        | 5-9   | 10-24 |
| 1912725   | SALE10    | A    | 98.90      | 95.93 | 92.97 |
| 1912728   | SALE10    | B    | 98.90      | 95.93 | 92.97 |
| 1912731   | SALE10    | C    | 98.90      | 95.93 | 92.97 |
| 1912734   | SALE10    | D    | 98.90      | 95.93 | 92.97 |
| 1912737   | SALE10    | E    | 98.90      | 95.93 | 92.97 |
| 1912740   | SALE10    | F    | 98.90      | 95.93 | 92.97 |

Dual Key Access Interlock



A dual key access interlock with lever arm in a key exchange version, used to interlock hatches, guards and doors where full body access is required. One key in/one key out, enables operator to use secondary key as a personnel key, to avoid being locked in. All stainless steel construction and fitted with tamper resistant screws. Actuator arm is tolerant to misalignment ±10mm, and retracts fully into the block protecting it from damage when guard is open. Unit may be installed in Left hand, right hand or vertically operated doors. Other key code options can be supplied upon request.

- Material Stainless steel
- Dust cap Stainless steel, weather proof
- Fixings 6 x M5 (top), 6 x M6 underneath
- Side bracket 76mm (including bolt & spring)
- Supplied with one trapped primary key, included in price
- Please order secondary key separately.

| Stock No. | Manf Ref' | Type           | Unit Price |        |        |
|-----------|-----------|----------------|------------|--------|--------|
|           |           |                | 1-4        | 5-9    | 10-24  |
| 1912743   | DALE10    | (A) IN (B) OUT | 206.30     | 200.11 | 193.92 |
| 1912746   | DALE10    | (B) IN (C) OUT | 206.30     | 200.11 | 193.92 |