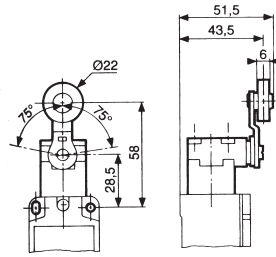


Rotary Lever Safety Switch Steel Housed

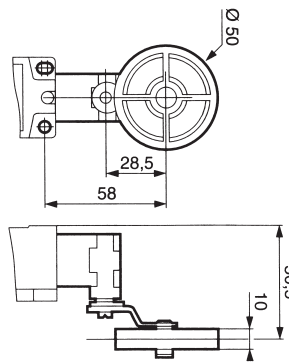


A very reliable, robust safety limit switch with 1 N/O + 1 N/C positive opening changeover contacts housed in an all metal construction with a four position metal actuator head. Featuring an rotary lever, with left and right action and plastic roller actuator.

Actuator	43.5 mm offset rotary lever, Ø 22 mm roller
Contact arrangement	1 N/O + 1 N/C (safety) changeover
Electrical rating	6 Amp at 250 VAC, 3 Amp at 24 VDC
Operating force min.	28 cmN
Operating travel min.	30°
Total travel max.	75°
Thermal current	10 Amp
IP Rating	IP 66
Temperature	-25°C to +80°C
Housing	Steel, EN5041
Cable entry	No 13 sealing gland
Approvals	UL, CSA

Stock No.	Manf Ref'	Type	Unit Price		
			1-4	5-9	10-24
3265944	83 861 301	ROTARY LEVER	29.52	28.04	26.57

Offset Rotary Lever Safety Switch Steel Housed

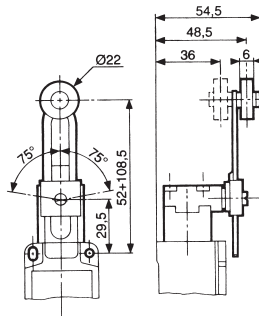


A very reliable, robust safety limit switch with 1 N/O + 1 N/C (positive opening) changeover contacts housed in an all metal construction with a four position metal actuator head. Featuring an offset rotary lever, with left and right action and plastic roller actuator.

Actuator	50.5 mm offset rotary lever, Ø 50 mm roller
Contact arrangement	1 N/O + 1 N/C (safety) changeover
Electrical rating	6 Amp at 250 VAC, 3 Amp at 24 VDC
Operating force min.	28 cmN
Operating travel min.	30°
Total travel max.	75°
Thermal current	10 Amp
IP Rating	IP 66
Temperature	-25°C to +80°C
Housing	Steel, EN5041
Cable entry	No 13 sealing gland
Approvals	UL, CSA

Stock No.	Manf Ref'	Type	Unit Price		
			1-4	5-9	10-24
3265956	83 861 305	OFFSET ROLLER	24.73	23.49	22.26

Adjustable Rotary Lever Safety Switch Steel Housed

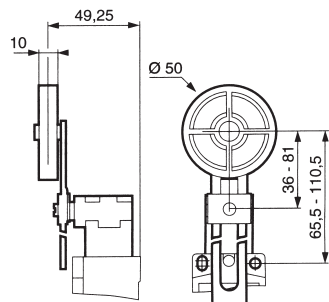


A very reliable, robust safety limit switch with 1 N/O + 1 N/C (positive opening) changeover contacts housed in an all metal construction with a four position metal actuator head. Featuring an adjustable rotary lever, with left and right action and plastic roller actuator.

Actuator	Adjustable rotary lever, Ø 22 mm roller
Contact arrangement	1 N/O + 1 N/C (safety) changeover
Electrical rating	6 Amp at 250 VAC, 3 Amp at 24 VDC
Operating force min.	28 cmN
Operating travel min.	30°
Total travel max.	75°
Thermal current	10 Amp
IP Rating	IP 66
Temperature	-25°C to +80°C
Housing	Steel, EN5041
Cable entry	No 13 sealing gland
Approvals	UL, CSA

Stock No.	Manf Ref'	Type	Unit Price		
			1-4	5-9	10-24
3265950	83 861 303	ADJUSTABLE LEVER	36.04	34.24	32.44

Adjustable Rotary Lever Safety Switch Steel Housed



A very reliable, robust safety limit switch with 1 N/O + 1 N/C (positive opening) changeover contacts housed in an all metal construction with a four position metal actuator head. Featuring an adjustable rotary lever, with left and right action and plastic roller actuator.

Actuator	Adjustable rotary lever, Ø 50 mm roller
Contact arrangement	1 N/O + 1 N/C (safety) changeover
Electrical rating	6 Amp at 250 VAC, 3 Amp at 24 VDC
Operating force min.	28 cmN
Operating travel min.	30°
Total travel max.	75°
Thermal current	10 Amp
IP Rating	IP 66
Temperature	-25°C to +80°C
Housing	Steel, EN5041
Cable entry	No 13 sealing gland
Approvals	UL, CSA

Stock No.	Manf Ref'	Type	Unit Price		
			1-4	5-9	10-24
3265959	83 861 307	ADJUSTABLE LEVER	29.98	28.48	26.98