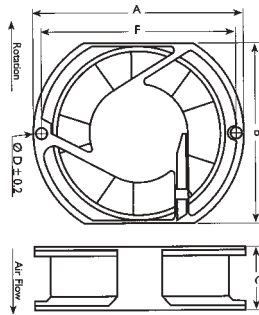


172 x 150 x 38mm Fans, AC



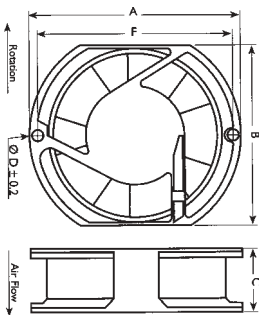
A = 172, B = 150, C = 38, D = 4.6, F = 162

High performance equipment cooling fans with sealed ball bearings for mounting in any position. Connection via 2 x 2.8mm push-ons which will also accept a pre-wired power lead. Permanent capacitor motor.

Voltage (50/60Hz)	110VAC	230VAC
Air Flow (m <sup>3</sup> / h)	320	320
Power input (watts)	26	26
Rated speed (RPM)	2800	2800
Noise (dBA)	55	55
Bearings	Ball	Ball
Casing	Aluminium alloy die casting, painted black	
Impeller	Black fibreglass reinforced plastic, UL94V-0	
Temperature	-40°C to +70°C	
Life expectancy	40,000 hours	
Power lead	6 amp max., 915mm length	
Approvals	UL, CUL	

Stock No.	Manf Ref'	Type	Bearings	Unit Price		
				1-9	10-24	25+
7801088	C17B12HTB	110VAC	BALL	36.23	33.69	30.80
7801085	C17B23HTB	230VAC	BALL	36.23	33.69	30.80
7801001	C36	POWER LEAD		1.50	1.40	1.28

172 x 150 x 51mm Fan, AC



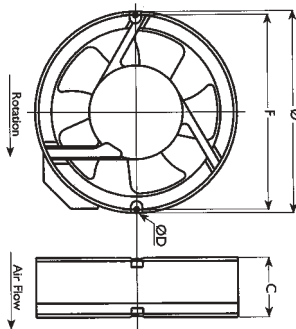
A = 172, B = 150, C = 51, D = 4.5, F = 162

High performance equipment cooling fans. The A17 has a shaded pole motor with pre-wired trailing leads. The C17 has a capacitor run induction motor connected via 2 x 2.8mm push-ons which will also accept a pre-wired power lead. 110VAC models also available.

Type	A17C23HWB	C17C23HTB
Air Flow (m <sup>3</sup> / h)	300	330
Power input (watts)	37	29
Rated speed (RPM)	2500	2800
Noise (dBA)	51	53
Bearings	Ball	Ball
Casing	Aluminium alloy die casting, painted black	
Impeller	Black fibreglass reinforced plastic, UL94V-0	
Temperature	-40°C to +70°C	
Life expectancy	40,000 hours	
Power lead	6 amp max., 915mm length	
Approvals	UL	

Stock No.	Manf Ref'	Type	Bearings	Unit Price		
				1-9	10-24	25+
7801091	A17C23HWB	230VAC	BALL	32.50	30.23	27.63
7801094	C17C23HTB	230VAC	BALL	39.00	36.27	33.15
7801001	C36	POWER LEAD		1.50	1.40	1.28

Ø 172 x 51mm Fan, AC



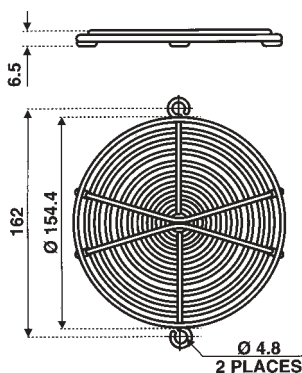
A = Ø172, C = 51, D = 4.5, F = 162

High performance equipment cooling fans in a Ø172mm circular housing. Connection via 2 x 2.8mm push-ons which will also accept a pre-wired power lead.

Voltage (50/60Hz)	230VAC, also available in 110VAC 60 Hz
Air Flow (m <sup>3</sup> / h)	330
Power input (watts)	29
Rated speed (RPM)	2800
Noise (dBA)	50
Bearings	Ball
Casing	Aluminium alloy die casting, painted black
Impeller	Black fibreglass reinforced plastic, UL94V-0
Temperature	-40°C to +70°C
Life expectancy	40,000 hours
Power lead	6 amp max., 915mm length
Approvals	UL

Stock No.	Manf Ref'	Type	Bearings	Unit Price		
				1-9	10-24	25+
7801097	C18C23HTB	230VAC	BALL	37.73	35.09	32.07
7801001	C36	POWER LEAD		1.50	1.40	1.28

Metal Fan Guards



Typical Dimensions for MFG150mm Guard

Metal fan guards which will provide IP20 protection from moving parts.

Material	Steel wire
Finishing	Nickel-chrome plated

**Note:**  
All fan guards are 4 hole fixing except for the 150mm which is 2 hole fixing.  
MFG150S fan guard is suitable for the 170 x 150 fans.

Stock No.	Manf Ref'	Type	Unit Price		
			1-9	10-24	25+
7801100	MFG80	80MM GUARD	2.05	1.91	1.74
7801103	MFG92	92MM GUARD	2.05	1.91	1.74
7801106	MFG120	120MM GUARD	2.10	1.95	1.79
7801109	MFG127	127MM GUARD	2.50	2.33	2.13
7801112	MFG150	150MM GUARD	2.75	2.56	2.34
7801250	MFG150S	150MM GUARD	2.75	2.56	2.39