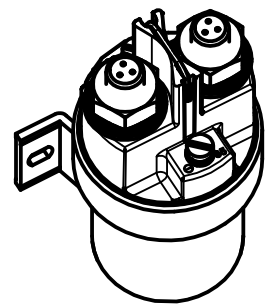
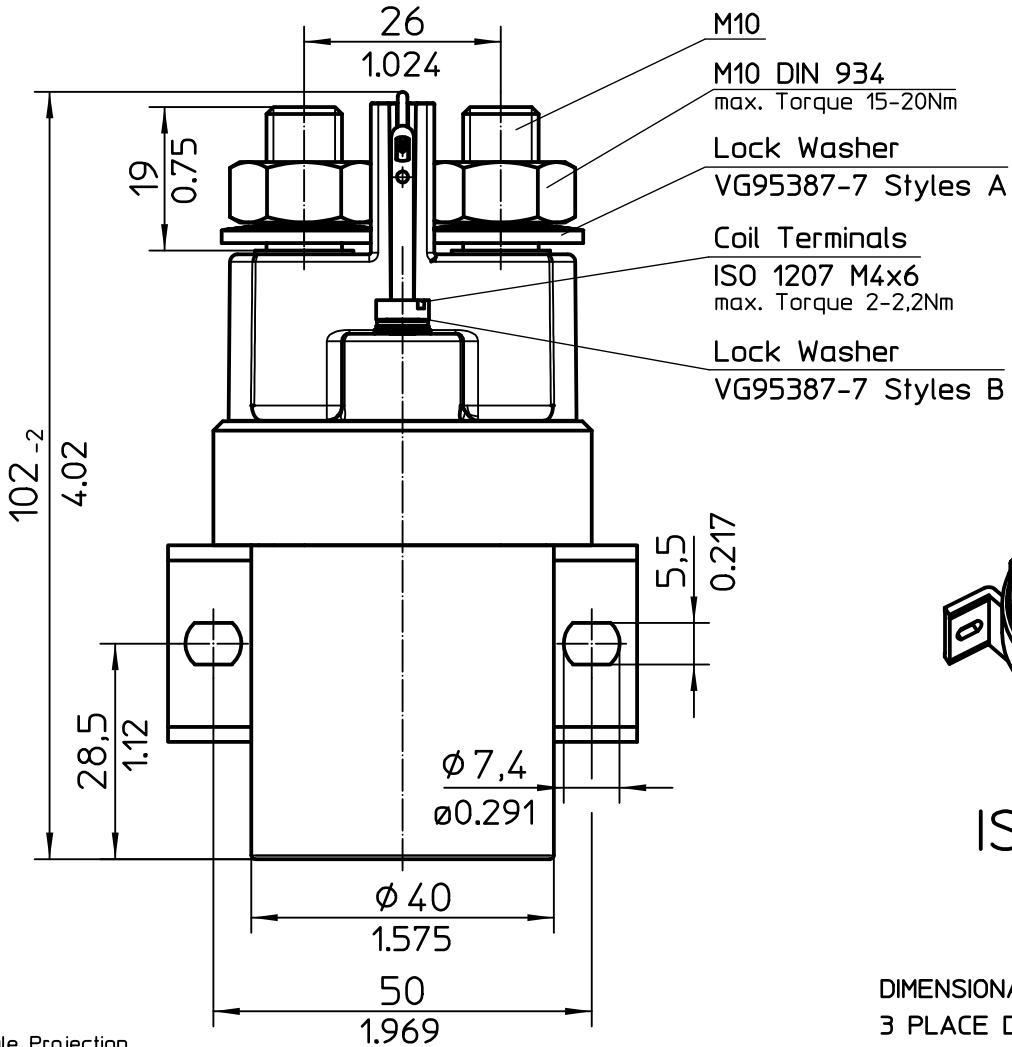
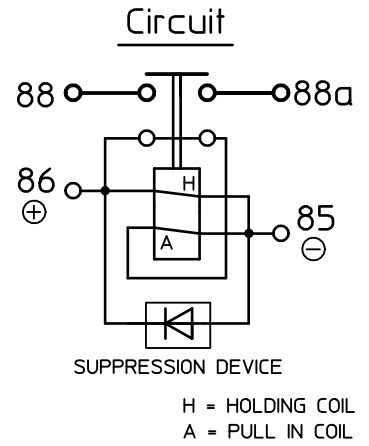
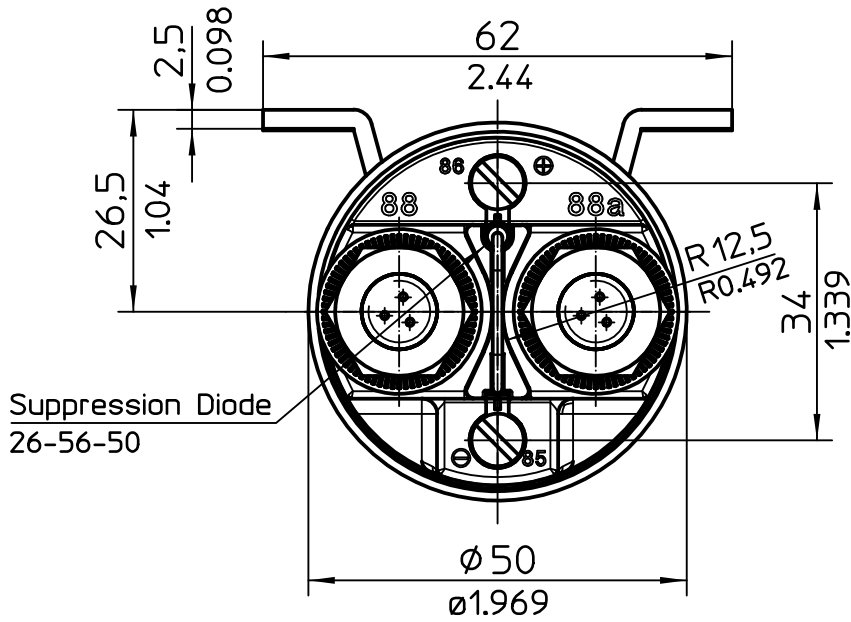


300AMP POWER RELAY (28VDC)

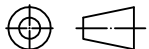
SIDE MOUNTING ENVIRONMENTALLY SEALED SUPPRESSION DIODE



ISO 1:2

DIMENSIONAL TOLERANCES
3 PLACE DECIMAL ±0.010
2 PLACE DECIMAL ±0.03
ANGULAR ±0°30'

Third Angle Projection



	Date	Name	mm inch	Scale 1:1	Drawing No:
Drawn	19.01.2012	Seege			26-56-08
Check	03.02.2012	Grind	General Tolerances DIN ISO 2768 mK		