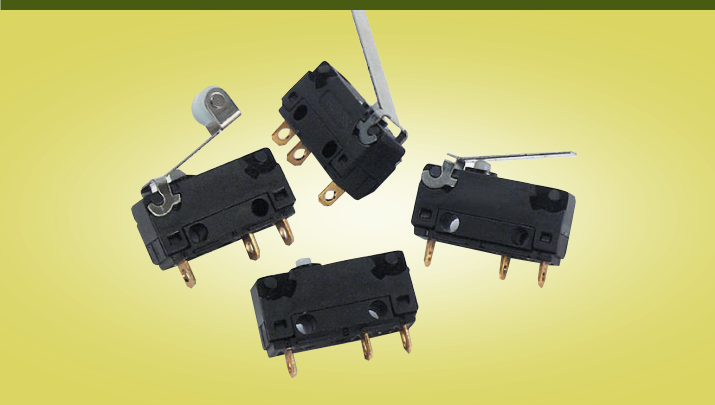
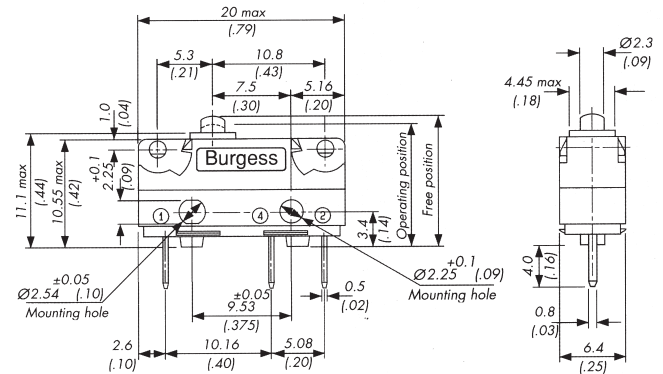
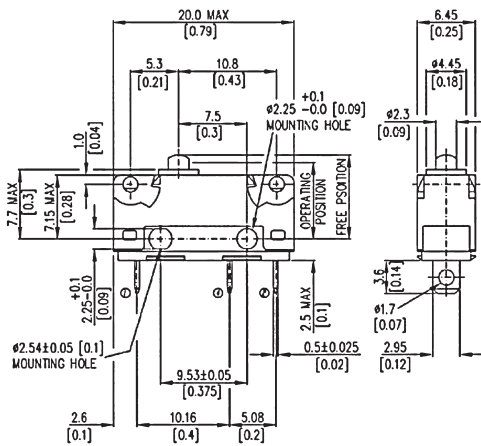


V4, Subminiature Microswitch, 5 Amp

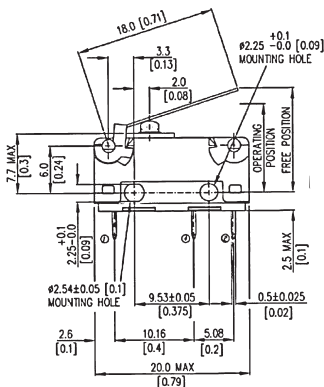


An industry standard force V4 subminiature microswitch with single pole changeover silver contacts. Featuring plunger only, plain or roller snap-on levers with a choice of either solder or PCB terminals (all sealed).

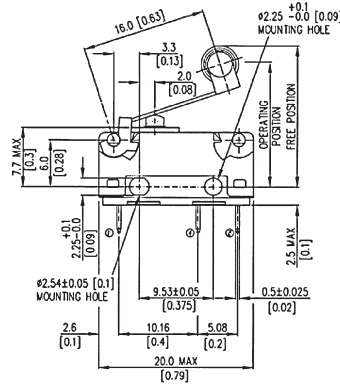
Electrical rating (resistive)	5 A at 250 VAC, 5 A at 30 VDC		
Contacts	Single pole changeover		
Contact material	Fine silver		
Mechanical life	10 <sup>7</sup>		
Temperature	-40 to +85°C		
Terminals	Brass, gold flashed		
IP Rating	IP40		
Housing / Levers	Glass fibre reinforced polyamide / St. steel		
Approvals	UL, CSA, BEAB, VDE, SEV, NEMKO		
	Plunger	Lever	Roller
Operating force max. N	1.4	0.5	0.5
Release force min. N	0.28	0.07	0.07
Free position. mm	9.2	13.2	17.8
Tripping point. mm	8.4	10.7	15.7
Differential travel. mm	0.1	0.4	0.4
Overtravel min.	Flush with case		
Operating characteristics are specified from mounting face			



Levers for Burgess V4 Subminiature Microswitches

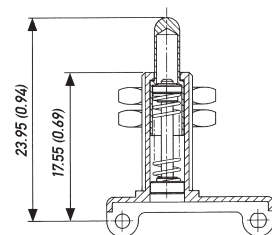


Plain lever 18 mm



Roller lever 16 mm

Long Overtravel Actuator



A long overtravel actuator with a stainless steel plunger for use with the sealed & unsealed Burgess V4 switches. In a moulded frame with two M6 locknuts, it provides a minimum of 5mm overtravel.

Stock No.	Manufactures Ref'	Actuator	Contacts	Terminals	Lever/Length	Unit Price		
						1-249	250-499	500+
2192866	V4NT7UL	PLUNGER	Ag	SOLDER	NONE	1.13	1.02	0.86
2192959	V4NT7Y1UL	PLUNGER	Ag	SOLDER	PLAIN/18MM	1.45	1.31	1.11
2192965	V4NT7YRUL	PLUNGER	Ag	SOLDER	ROLLER/16MM	1.41	1.27	1.08
2192527	QA4	PLUNGER			OVERTRAVEL	0.59	0.53	0.45