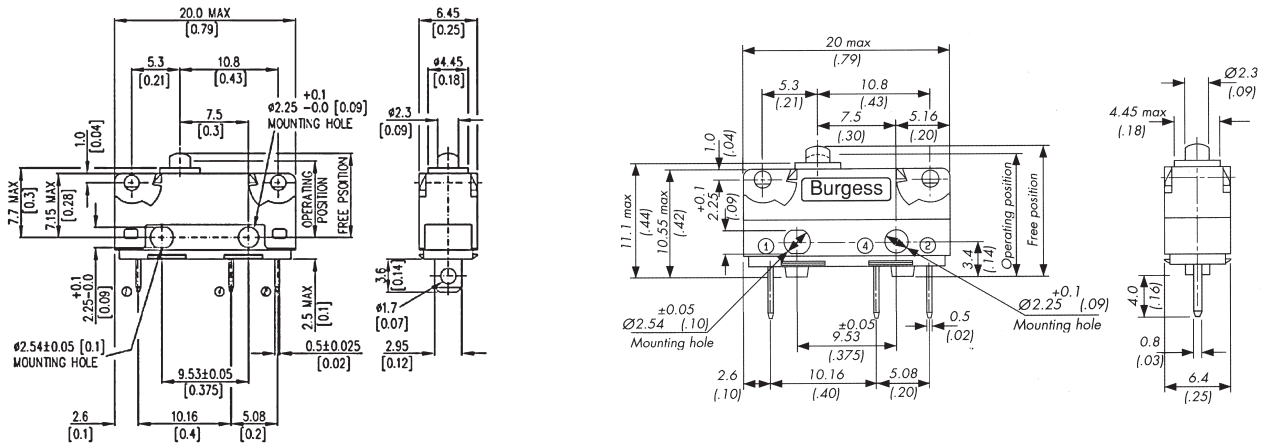


XC, Subminiature Microswitch, 5 Amp

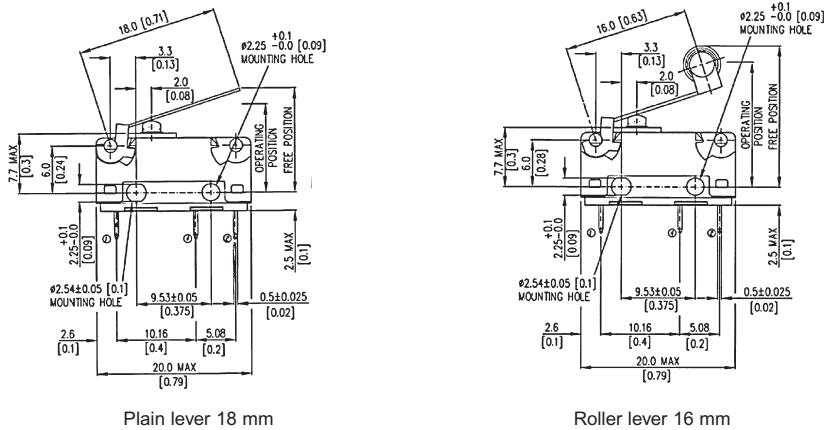


An industry standard force V4 subminiature microswitch with single pole changeover silver contacts. Featuring plunger only, plain or roller snap-on levers with a choice of either solder or PCB terminals (all sealed).

Electrical rating (resistive)	5 A at 250 VAC, 5 A at 30 VDC		
Contacts	Single pole changeover		
Contact material	Fine silver		
Mechanical life	10 ⁷		
Temperature	-40 to +85°C		
Terminals	Brass, gold flashed		
IP Rating	IP40		
Housing / Levers	Glass fibre reinforced polyamide / St. steel		
Approvals	UL, CSA, BEAB, VDE, SEV, NEMKO		
	Plunger	Lever	Roller
Operating force max. N	1.7	0.6	0.7
Release force min. N	0.28	0.07	0.07
Free position. mm	9.2	13.2	17.8
Tripping point. mm	8.4	10.7	15.7
Differential travel. mm	0.1	0.4	0.4
Overtravel min.	Flush with case		
Operating characteristics are specified from mounting face			



Levers for Burgess V4 Subminiature Microswitches



Plain lever 18 mm

Roller lever 16 mm

Stock No.	Manufactures Ref'	Actuator	Contacts	Terminals	Lever/Length	Unit Price		
						1-249	250-499	500+
2193472	XCG3	PLUNGER	Ag	SOLDER	NONE	0.97	0.87	0.74
2193473	XCG3-J1Z1	PLUNGER	Ag	SOLDER	PLAIN/18MM	1.06	0.95	0.81
2193474	XCG3-S1Z1	PLUNGER	Ag	SOLDER	ROLLER/16MM	1.15	1.04	0.88
2193223	XCG8	PLUNGER	Ag	PCB	NONE	0.97	0.87	0.74
2193224	XCG8-J1Z1	PLUNGER	Ag	PCB	PLAIN/18MM	1.06	0.95	0.81
2193225	XCG8-S1Z1	PLUNGER	Ag	PCB	ROLLER/16MM	1.15	1.04	0.88