

Magnetic Actuator

Model: MA-3S

Rectangular magnetic actuator for use with all of the euroswitch magnetically actuated range.

Sensing ranges depend on the switch model.

Euroswitch products are designed and manufactured in the UK using our extensive experience and comprehensive in-house capabilities.



Properties

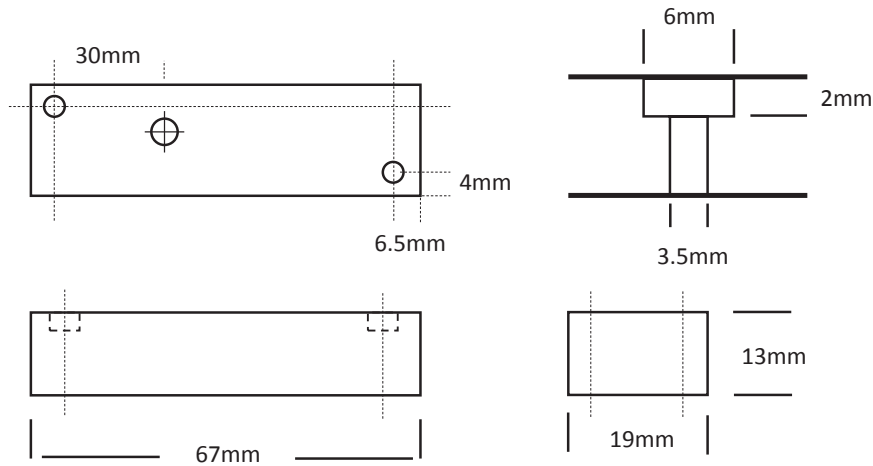
Body Shape	Rectangular
Body Material	316 Stainless Steel
Dimensions	67mm x 19mm x 13mm

Sensing Ranges

Sensing range depends on the switch model and magnetic target used.

Switch Model No.	Range mm
ES-1000	16
ES-2000	23

Dimensions



Operating Principles

