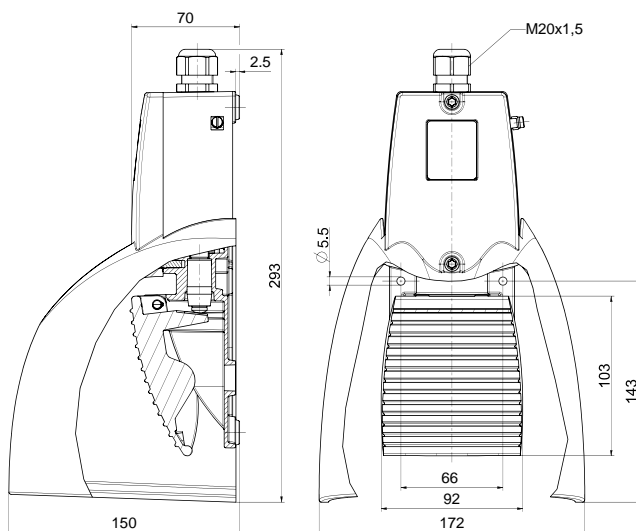


Ex foot switch Ex GFSI 1Ö/1S -40°C ... +55°C IP66/67 Extreme Material number: 1296855

Features/Options:

- Ex zone 1 and 21
- 1-pedal type
- Corrosion-resistant aluminium enclosure
- With protective shield
- Salt-mist spray test to DIN EN ISO 9227
- High degree of protection IP 66 / IP 67
- Temperature resistant from -40 °C to +55 °C
- Screws and metal parts made of stainless steel
- Wiring compartment
- Low pedal height
- Maritime certification to DNV GL
- Attention: Please state required international approvals with your order!

Dimensions



Technical data

Applied standards	EN 60947-5-1, EN 60079-0, EN 60079-1, EN 60079-7, EN 60079-31, EN ISO 13849-1
Enclosure	aluminium die-cast, corrosion-resistant, powder-coated, passivated, anthracite grey, similar to RAL 7016
Pedal	aluminium die-cast, corrosion-resistant, hard-coated, powder-coated, anthracite grey, similar to RAL 7016
Protective shield	aluminium die-cast, corrosion-resistant, powder-coated, passivated, signal yellow, similar to RAL 1003
Degree of protection	IP 55 (EN 60079-0 + IEC/EN 60529) IP 66/67 (IEC/EN 60529)
B _{10d} (10 % load)	2 million
T _M	max. 20 years
Connection	screw connection terminals
Cable cross-section	max. 2.5 mm ² (incl. conductor ferrules)
Contact material	silver
Switching system	slow action, positive break NC contacts ⊖
Switching elements	1 NC/1 NO contact, type Zb
Utilisation category	AC-15; DC-13
Rated operating current/voltage I _e /U _e	5 A/250 VAC; 0.2 A/230 VDC
Short-circuit protection	5 A gG/gN fuse
Ambient temperature	T6: -40 °C ... +55 °C

Errors and omissions excepted.



Ex foot switch
Ex GFSI 1Ö/1S -40°C ... +55°C IP66/67 Extreme
Material number: 1296855

Technical data

Mechanical life > 1 million operations

Impact energy max. 7 J

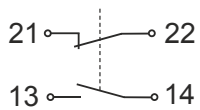
Ex marking
⊕ II 2G Ex de IIC T6 Gb,
⊕ II 2D Ex tb IIIA T80°C Db
IECEX Ex de IIC T6 Gb,
Ex tb IIIA T80°C Db

Approvals
PTB 15 ATEX 1010
IECEX PTB 15.0035

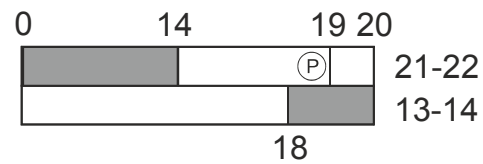


Weight 1496 g

Contact diagram



Switching diagram



Ⓟ Positive break travel/angle