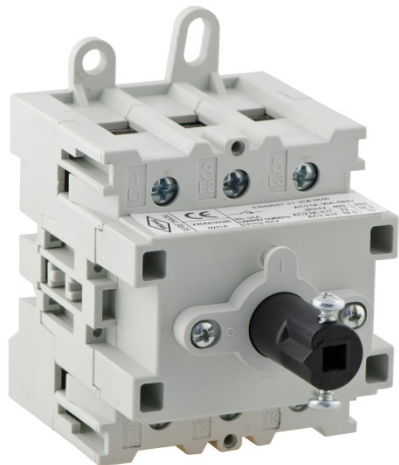


Cod. DS0633BAL6

Standard and Approvals

- Suitable as Manual Motor Controller
- Certified UL508 and CSA C22.2 No. 14-13
- Disconnect switch according to IEC/EN 60947-3



Technical characteristics: Body

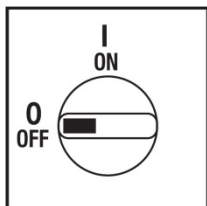
- Disconnect switch 3P
- IP20 protection degree
- Rating operational current: 63A
- Rating thermal current: 63A
- Rating insulation voltage: 690V
- Base Mounting
- Fixing: - with screw
- Din rail
- Switching angle: 90°
- Positive opening double break contacts, silver alloy made.
- Self-extinguishing class V0



Technical characteristics: Plate and knob

- Yellow plate 67x67mm and red padlockable knob (max. 3 padlocks)
- Protection degree IP66
- Fixing: - 2 screw at 28mm vertical
- 2 screw at 32mm horizontal

Plate and position



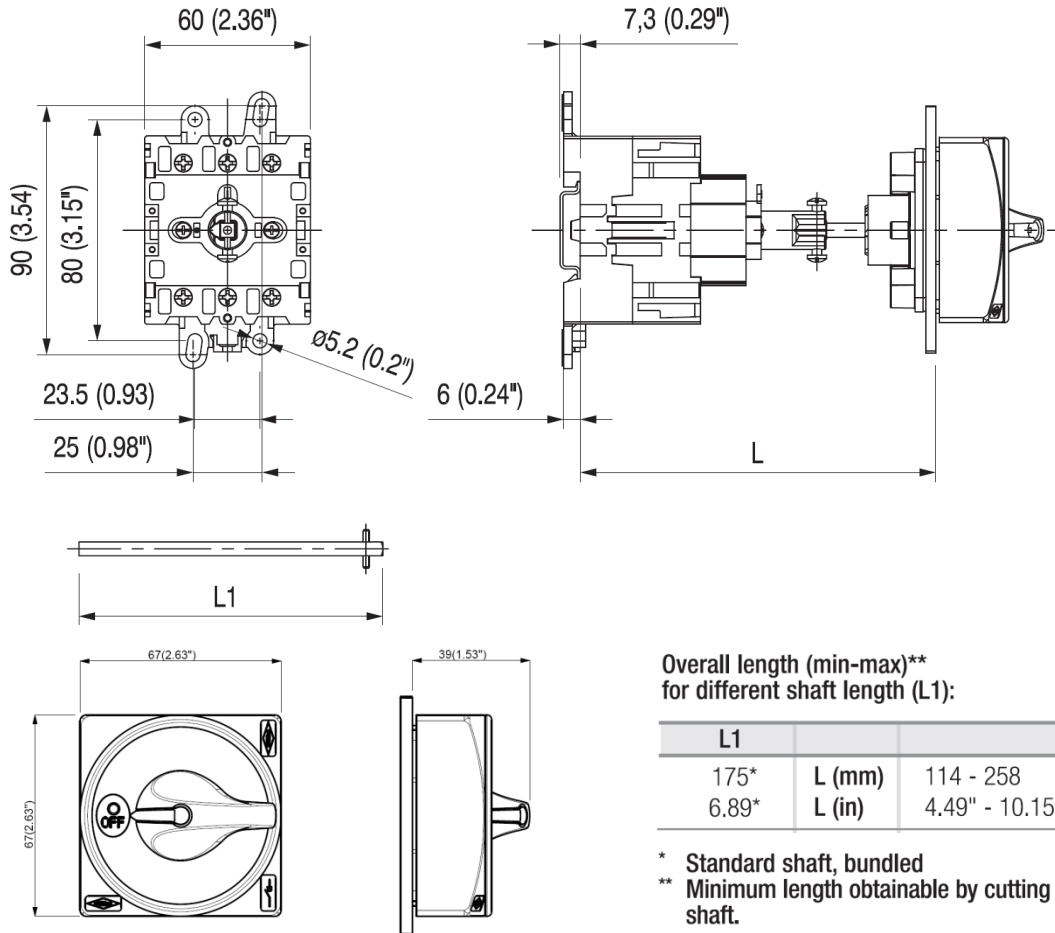
Electrical scheme



Cod. DS0633BAL6

measures in mm (in)

Dimensions

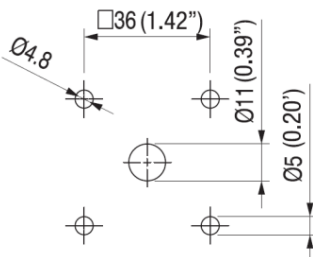


Overall length (min-max)
for different shaft length (L1):**

L1	L (mm)	L (in)
175*	114 - 258	4.49" - 10.15"
6.89*		

* Standard shaft, bundled
** Minimum length obtainable by cutting the shaft.

Drilling templates



Cod. DS0633BAL6

Technical data IEC 947-3 EN 60947-3				
Rated insulation voltage		Ui	V	690
Rated operating voltage		Ue	V	690
Rated impulse withstand voltage		Uimp	kV	6
Rated thermal current for open switch		Ith	A	63
Rated thermal current for enclosed switch		Ithe	A	63
Rated operation frequency			Hz	50
Power dissipation for each pole			W	3,7
Rated operating current Ie				
AC-21A Switching resistive loads, including moderate overloads	690V	Ie	A	63
AC-22A Switching of mixed resistive and inductive loads, including moderate overloads	690V	Ie	A	63
Rated operating power				
AC-23A Switching of motor loads or other highly inductive loads	400V		Kw (A)	25 (47)
	690V		Kw (A)	18,5 (19)
AC-3 Squirrel cage motors: starting, switching off motors during running	400V		Kw (A)	18,5 (33)
	690V		Kw (A)	15 (16)
Rated breaking capability in category AC-23A (cos φ=0,45)	400V		A	376
	690V		A	-
Short circuit protection				
Rated short time withstand current (1s)		Icw	A	1500
Rated short-circuit make capacity		Icm	A	2000
Rated conditional short-circuit current			kA	15
With fuses class gG	500V		A	63
Technical data UL/CSA (sec. UL508)				
General use voltage		Ue	V	600
General use current	600Vac	Ie	A	80
Rated operating power				
1 phase - 2 pole	120V		Hp/FLA	3/34
	240V		Hp/FLA	5/28
	200V		Hp/FLA	10/32
3 phase - 3 pole	240V		Hp/FLA	20/54
	480V		Hp/FLA	25/34
	600V		Hp/FLA	30/32
Line protection fuses (DS size 1: Class RK5, 600Vac, 200kA A.I.C.), (DS size 2: Class J, 600Vac)			A	225
Short Circuit Rating@600Vac			kA	10
Mechanical characteristics				
Mechanical life (120 cycles/hour)		Operations x10 ⁶		0,1
Connecting capability with flexible wires		Min-Max	mm ²	6-35
Connecting capability with solid wires		Min-Max	mm ²	10-50
Connecting capability with flexible wires		Min-Max	AWG	10/01
Connecting capability with solid wires		Min-Max	AWG	08/01
Terminal screw				M5
Screw tightening torque			Nm	2,8
			lbf-in	24
Protection degree IEC 529 EN 60529				
Terminals				IP20
Handles				IP66
Ambient conditions				
Operational ambient temperature			°C	-25 ÷ +70
Storage ambient temperature			°C	-40 ÷ +85
Withstand to constant humid according to IEC 60068				sec. IEC 60068-2-78
Withstand to cycling humid according to IEC 60069				90% at 55°C