

# Product data sheet

Specifications



Power relay, SE Relays, 12A, 3PDT, 24 VDC, hermetically sealed contacts, hazardous location series

750XCXH-24D

## Main

Product Type	Relay
Switch Function	3PDT
Contact Composition	3 NO + 3 NC

## Complementary

Input Current	12 A
Contacts Material	Silver alloy contacts
Minimum Switching Current	100 mA 5 V
Coil Resistance	470 Ohm
Input voltage	24 V DC
Drop-out Voltage Threshold	$\geq 0.15 U_c$ AC $\geq 0.1 U_c$ DC
Rated Operational Current	12 A at 120 V AC conforming to UL 12 A at 240 V AC conforming to UL 12 A at 28 V DC conforming to UL
Power consumption in W	1.2 W DC
Voltage Range	0.8...1.1 $U_n$ AC/DC
Maximum Switching Voltage	300 V
Motor Power HP	0.5 hp 240 V AC 50/60 Hz 0.33 hp 120 V AC 50/60 Hz
Connections Terminals	octal terminal (11 pins)
Mounting	Socket
Height	2.07 in (52.5 mm)
Width	1.44 in (36.5 mm)
Depth	1.62 in (41.2 mm)
Product Weight	4.59 oz (130 g)
Operating Time	20 ms

## Environment

Ambient Air Temperature for Operation	-40...131 °F (-40...55 °C)
Ambient Air Temperature for Storage	-40...185 °F (-40...85 °C)

<b>Product Certifications</b>	UL CSA
<b>Electrical Durability</b>	100000 cycles resistive
<b>Mechanical Durability</b>	10000000 cycles
<b>IP Degree of Protection</b>	IP67
<b>Dielectric Strength</b>	1600 V AC between coil and contact 1600 V AC between poles 1500 V AC between open contacts
<b>Shock Resistance</b>	10 gn
<b>Vibration Resistance</b>	3 gn 35...150 Hz)operating +/- 1 mm 10...35 Hz)operating 6 gn 35...150 Hz)not operating +/- 1 mm 10...35 Hz)not operating

## Ordering and shipping details

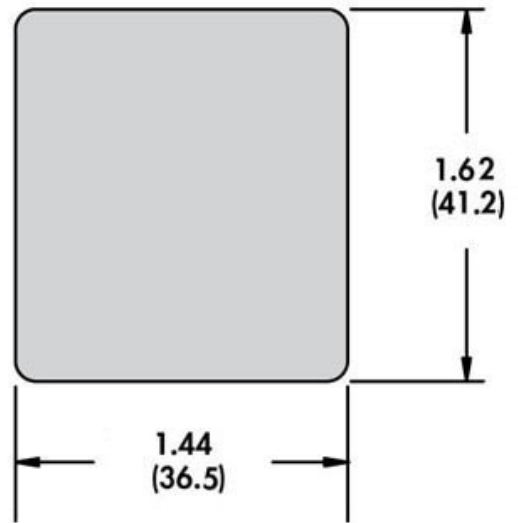
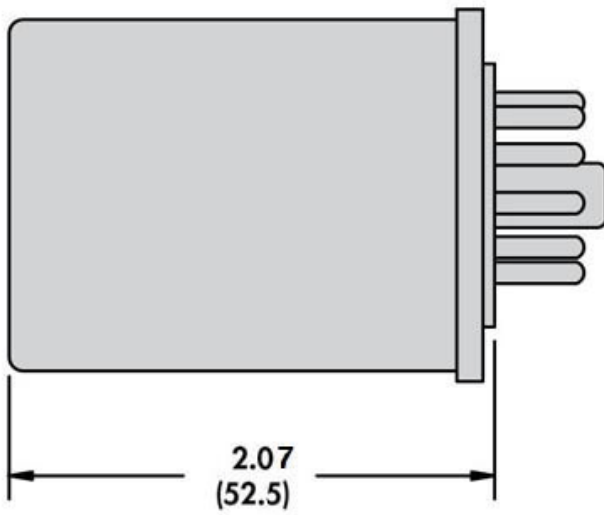
<b>GTIN</b>	3606480279508
-------------	---------------

## Offer Sustainability

<b>Sustainable offer status</b>	Green Premium product
<b>California proposition 65</b>	WARNING: This product can expose you to chemicals including: Nickel compounds, which is known to the State of California to cause cancer, and Di-isodecyl phthalate (DIDP), which is known to the State of California to cause birth defects or other reproductive harm. For more information go to <a href="http://www.P65Warnings.ca.gov">www.P65Warnings.ca.gov</a>
<b>REACH Regulation</b>	<a href="#">REACH Declaration</a>
<b>REACH free of SVHC</b>	Yes
<b>EU RoHS Directive</b>	Pro-active compliance (Product out of EU RoHS legal scope) <a href="#">EU RoHS Declaration</a>
<b>Toxic heavy metal free</b>	Yes
<b>Mercury free</b>	Yes
<b>RoHS exemption information</b>	<a href="#">Yes</a>
<b>China RoHS Regulation</b>	<a href="#">China RoHS declaration</a>
<b>Environmental Disclosure</b>	<a href="#">Product Environmental Profile</a>
<b>WEEE</b>	The product must be disposed on European Union markets following specific waste collection and never end up in rubbish bins.

**Approximate Dimensions**

---



Connections and Wiring Diagrams

---

