

Product data sheet

Specifications



Power relay, SE Relays, 12A, 3PDT, 240 VAC, hermetically sealed contacts, hazardous location series

750XCXH-240A

Main

Product Type	Relay
Switch Function	3PDT
Contact Composition	3 NO + 3 NC

Complementary

Input Current	12 A
Contacts Material	Silver alloy contacts
Minimum Switching Current	100 mA 5 V
Coil Resistance	7200 Ohm
Input voltage	240 V AC
Drop-out Voltage Threshold	$\geq 0.15 U_c$ AC $\geq 0.1 U_c$ DC
Rated Operational Current	12 A at 120 V AC conforming to UL 12 A at 240 V AC conforming to UL 12 A at 28 V DC conforming to UL
Power consumption in W	1.2 W DC
Power consumption in VA	2.75 VA AC
Voltage Range	0.8...1.1 U_n AC/DC
Maximum Switching Voltage	300 V
Motor Power HP	0.5 hp 240 V AC 50/60 Hz 0.33 hp 120 V AC 50/60 Hz
Connections Terminals	octal terminal 11 pins)
Mounting	Socket
Height	2.07 in (52.5 mm)
Width	1.44 in (36.5 mm)
Depth	1.62 in (41.2 mm)
Product Weight	4.59 oz (130 g)
Operating Time	20 ms

Environment

Ambient Air Temperature for Operation	-40...131 °F (-40...55 °C)
---------------------------------------	----------------------------

Ambient Air Temperature for Storage	-40...185 °F (-40...85 °C)
Product Certifications	UL CSA
Electrical Durability	100000 cycles resistive
Mechanical Durability	10000000 cycles
IP Degree of Protection	IP67
Dielectric Strength	1600 V AC between coil and contact 1600 V AC between poles 1500 V AC between open contacts
Shock Resistance	10 gn
Vibration Resistance	3 gn 35...150 Hz)operating +/- 1 mm 10...35 Hz)operating 6 gn 35...150 Hz)not operating +/- 1 mm 10...35 Hz)not operating

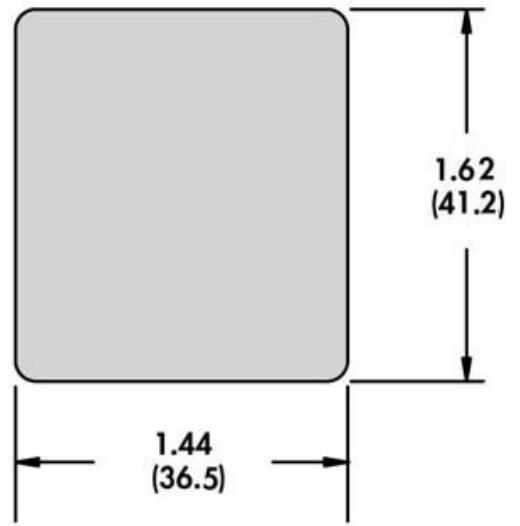
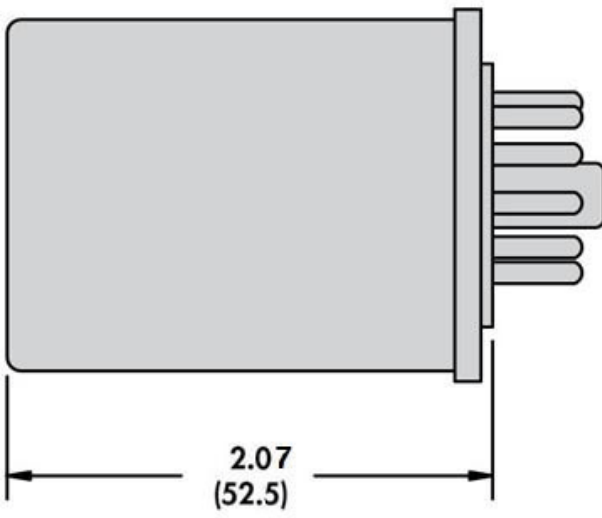
Ordering and shipping details

GTIN	3606480279485
-------------	---------------

Offer Sustainability

Sustainable offer status	Green Premium product
California proposition 65	WARNING: This product can expose you to chemicals including: Nickel compounds, which is known to the State of California to cause cancer, and Di-isodecyl phthalate (DIDP), which is known to the State of California to cause birth defects or other reproductive harm. For more information go to www.P65Warnings.ca.gov
REACH Regulation	REACH Declaration
REACH free of SVHC	Yes
EU RoHS Directive	Pro-active compliance (Product out of EU RoHS legal scope) EU RoHS Declaration
Toxic heavy metal free	Yes
Mercury free	Yes
RoHS exemption information	Yes
China RoHS Regulation	China RoHS declaration
Environmental Disclosure	Product Environmental Profile
WEEE	The product must be disposed on European Union markets following specific waste collection and never end up in rubbish bins.

Approximate Dimensions



Connections and Wiring Diagrams

