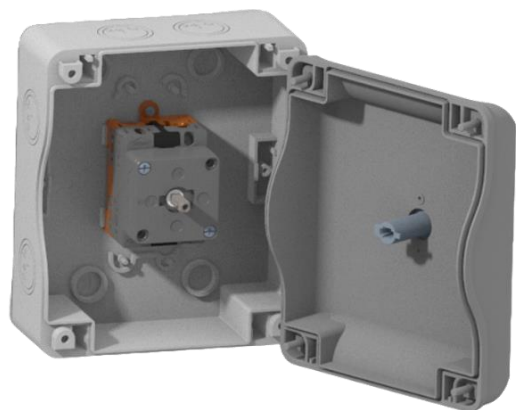


Cod. DM10020120AB140RL6



Standard and Approvals

- Switch according to IEC 60947-3:2015/A2 AnnexD



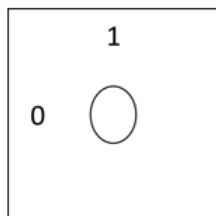
Technical characteristics: Enclosure

- ABS double insulation thermoplastic enclosure, UV resistant
- Yellow plate 36x36 mm and red padlockable knob (max. 3 padlocks)
- Switching angle: 90°
- Cover interlock in "ON" position
- Front drive
- IP65 Protection degree
- Fixing enclosure: 4 screws at 60x115 mm or 97x142 mm
- 8x Pg 16/21 traces on each side of enclosure
- Tightening torque M4 screws: 1,4 Nm ±10%

Technical characteristics: DC disconnect Switch

- Rated operational current in the enclosure Ie: 20 A
- Rated operational voltage in the enclosure Ue: 1000 V
- Rated thermal current Ith: 50 A
- Rated insulation voltage Ui: 1500 V
- Switching angle: 90°
- Class V0 self-extinguishing thermoplastic housing
- Assembled with metal shaft to ensure maximum operating reliability

Plate and positions



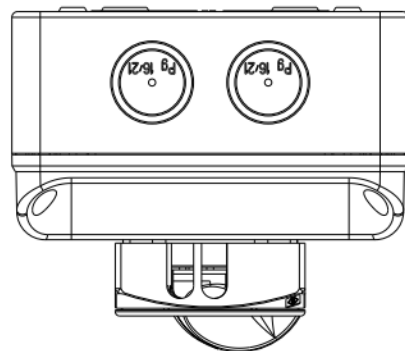
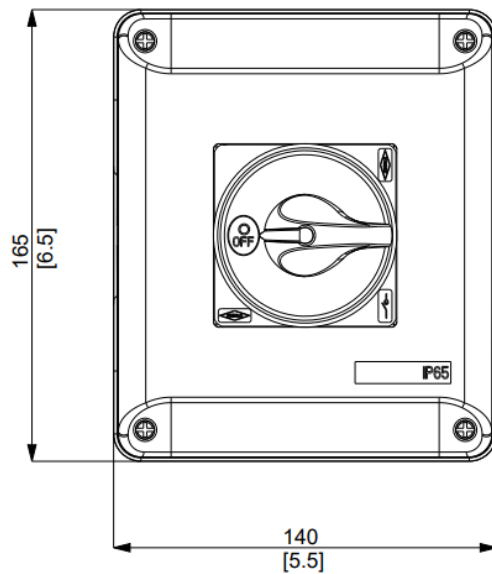
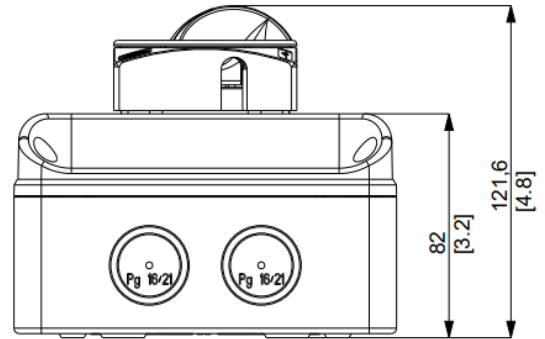
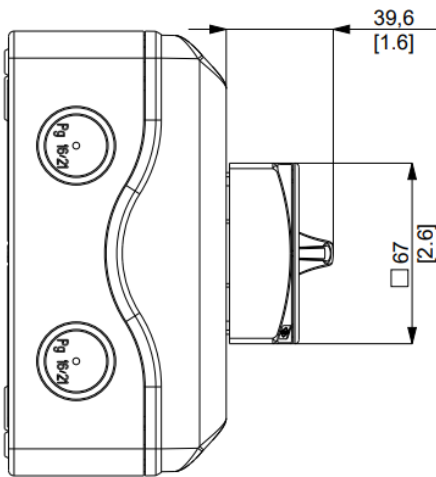
Electrical scheme

Layer	1	2
Marking	-1	+1
Marking	-1	+1
0/OFF		
1/ON	X	X

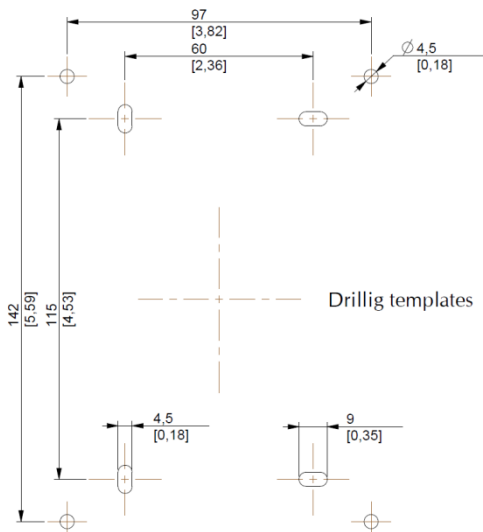
Cod. DM10020120AB140RL6

Dimensions

measures in mm (in)



Drilling templates

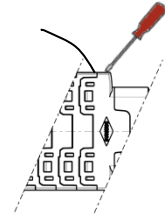


DM10020120AB140RL6

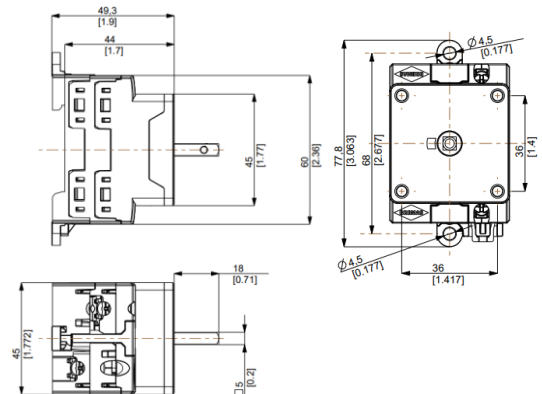
Technical data according to IEC 60947-3:2015/A2 AnnexD				
Utilization category			PV1 (DC-21B)	PV2
Rated operational voltage	Ue	V dc	1100	1100
Rated operational current	Ie	A dc	12	5
Rated operational voltage (second rating)	Ue	V dc	1000	1000
Rated operational current (second rating)	Ie	A dc	20	10
Rated operational voltage (third rating)	Ue	V dc	750	750
Rated operational current (third rating)	Ie	A dc	32	18
Rated operational voltage (fourth rating)	Ue	V dc	700	700
Rated operational current (fourth rating)	Ie	A dc	40	20
Rated operational voltage (fifth rating)	Ue	V dc	500	-
Rated operational current (fifth rating)	Ie	A dc	50	-
Rated operational voltage (sixth rating)	Ue	V dc	-	-
Rated operational current (sixth rating)	Ie	A dc	-	-
Rated thermal current	Ith	A dc	50	
DC Poles	Nr.		2	
Rated conditional short-circuit current		kA	5	
Rated insulation voltage	Ui	V dc	1500	
Rated impulse withstand voltage	Uimp	kV	8	
Rated short-time withstand current (1 s)	Icw	A	780	
Rated short-circuit making capacity	Icm	kA	1,4	
Power loss per layer at 20 A / 50 A		W	0,2 / 1,25	
Max fuse size for short-circuit protection	gPV	A	50	
Mechanical characteristics				
Type of mounting	Double mounting Back-side for DIN rail or 2 screws fixing			
Layers	Nr.	2		
Terminal screws orientation	Head up			
External metal parts (Screws, shaft)	Stainless steel			
Cross-section of flexible/solid wires	Max	mm ²	2x 6	
		AWG	2x 10	
Cross-section of wires with fork lug	Max	mm ²	1x 16	
		AWG	1x 6	
Screws thread dimensions	M4			
Terminal screws tightening torque	Nm	1,7 ±10%		
Tightening torque M3 screw in the actuator	Nm	0,6 ±10%		
Tightening torque panel mounting screws	Max Nm	1,1 ±10%		
Panel thickness	Max mm	4		
Shaft protrusion	mm	18		
Actuator operation force	Nm	1,5		
Net weight	g	125		
Protection degree IEC 529 EN 60529				
To the erminial	IP20			
With product mounted on panel	IP65			
Ambient conditions in enclosure				
Pollution degree ins.	2			
Operational ambient temperature	°C	-25 ÷ +60		
Storage ambient temperature	°C	-30 ÷ +70		
Damp heat test IEC60068-2-30	90-100% RH at +55 °C			
Handle and plate	UV resistant			



Screwdriver orientation for terminals



Dimensions



Drilling templates

