

B&R Relays

BR880 - 500 AMP Starter Relay

Features

500A switching capability

1A contact form

withstand temperatures ranging from -40 C to up to 85C



Coil Parameter

Standard	Coil voltage (VDC)		Coil resistance (Q±10%)	Pickup voltage VDC (max.)	Release voltage VDC (min.)	Coil Power	Operate Time	Release Time
	Rated	Max.						
12V 2.4W	12	15.6	60	7.8	1.2	2.4W	≤10ms	≤5ms
24V 2.4W	24	31.2	240	15.6	2.4	2.4W		
12V 4.8W	12	15.6	30	7.8	1.2	4.8W	≤10ms	≤5ms
24V 4.8W	24	31.2	120	15.6	2.4	4.8W		

Operation condition

Insulation		100MΩ min(at 500VDC)	Item 7 of IEC 60255-5
Dielectric strength	Between contacts	50Hz 500V	Item 6 of IEC 60255-5
	Between coil and contacts	50Hz 500V	Item 6 of IEC 60255-5
Shock resistance		147m/s ²	IEC 68-2-27 Test Ea
Vibration resistance		10-40Hz double amplitude 1.5mm	IEC 68-2-6 Test Fc
Terminals strength		20N	IEC 68-2-21 Test Ua1
Solder ability		235°C±2°C 3±0.5s	IEC 68-2-20 Test Ta method 1
Ambient temperature		-40°C--85°C	
Relative humidity		85%(at 40°C)	IEC 68-2-3 Test Ca
Weight		200g	

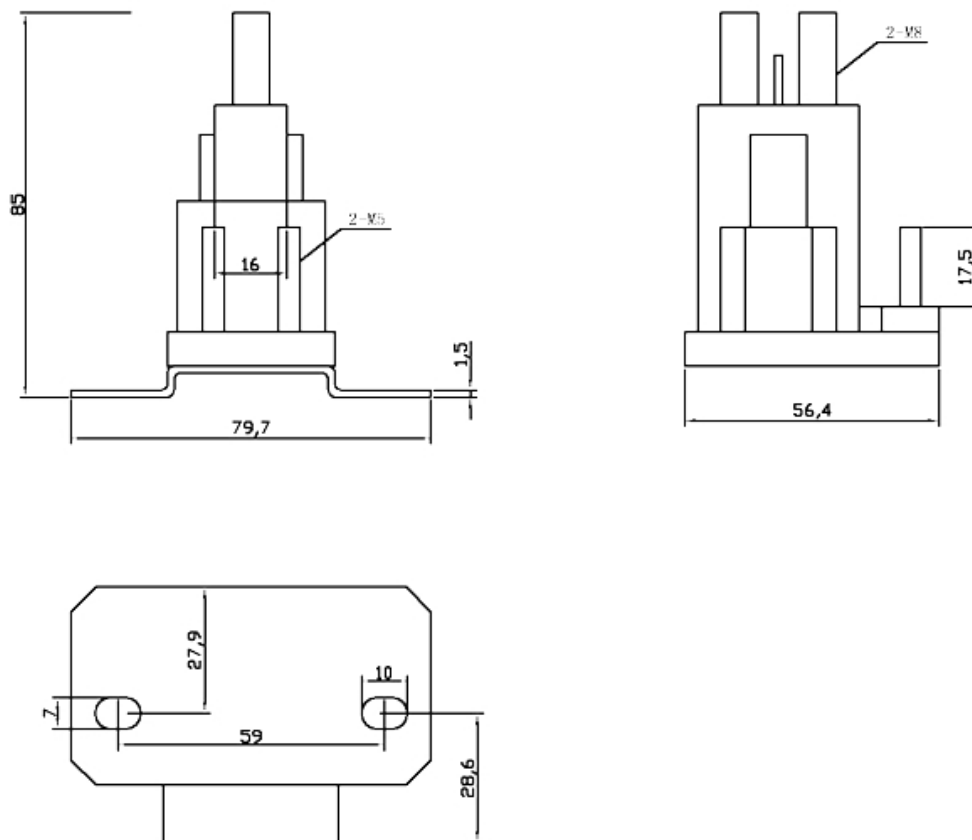
Contact Data

Contact form	1A(SPSTNO)	
Contact material	AgSnO ₂	
Contact rating(resistance)	500A/14VDC	
	250A/28VDC	
Max.switching voltage	40VDC	
Max.switching current	500A	
Max.switching power	1680	
Contact resistance	≤30mΩ	Item 4.12 of IEC 61810-7
Electrical life	1*10 ⁵	Item 4.30 of TEC 61810-7
Mechanical life	1*10 ⁷	Item 4.31 of TEC 61810-7

ORDERING GUIDE

Mold	BR880	12VDC	1A	-	-
Voltage 12:12VDC 24: 24VDC					
Contact form 1A: Normal open					
Polarity R: Reverse N/A: No polarity					
Customize XXX: N/A:					

Dimension & Diagram



Remark: (1) In case of no tolerance shown in outline dimension: outline dimension ≤ 1 mm, tolerance should be ± 0.2 mm;
 Outline dimension > 1 mm and ≤ 5 mm, tolerance should be ± 0.3 mm; outline dimension > 5 mm, tolerance should be ± 0.4 mm.