

# B&R Relays

## BR856 - High Current Automotive Relay

### Features

150A switching capability  
Terminal limit continuous current 180A  
Stability of base structure  
Dust cover Epoxy Resin sealed IP65  
Outline dimension: 98 \*71\*40 mm



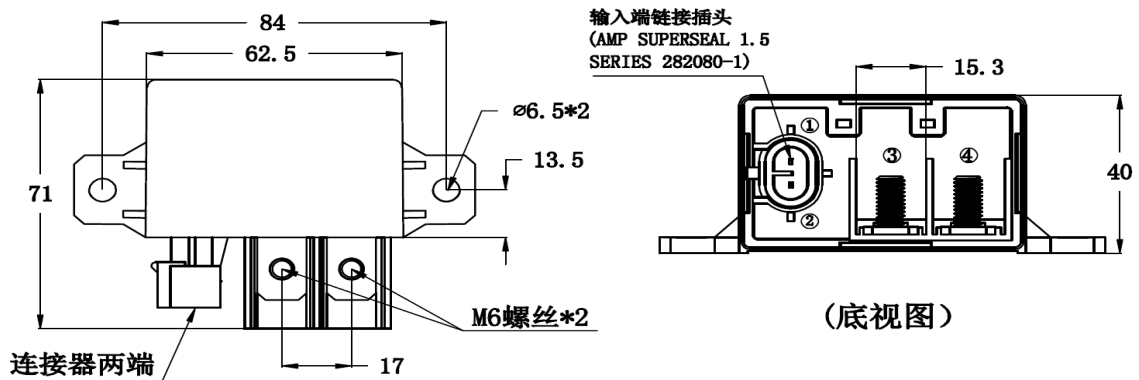
### Specification

Contact data	Limited break current 300A Minimum: 1000mA @ 5DVC	
Contact form	1 from A (Normal Open bridge connection)	
Contact material	AgSnO <sub>2</sub>	
Max Operating Current	150A	
Coil data	141Ω±10% resistor	35Ω±10% resistor
Rated voltage of coil	24VDC	12VDC
Rated coil power	4.1W	4.1W
The pull in voltage	≤17VDC	≤8VDC
Release voltage	≥2.4VDC	≥1.2VDC
Operating time	<30mS	<30mS
Release time	<15mS <sup>5</sup>	<15mS
Dielectric withstanding voltage	500VAC 1min	
Life	Between coil contacts	5 X10 <sup>5</sup>
	Mechanical life	1 X10 <sup>7</sup>
Ambient temperature	-40℃ ~+85℃	
Protection category	IP65	
Terminal type	Screw terminals(load)	
Installation method	Flange mounting	

## ORDERING GUIDE

	BR856	12VDC	1A	-	-
Mold					
Voltage 12:12VDC 24: 24VDC					
Contact form 1A: Normal open					
Polarity R: Reverse N/A: No polarity					
Customize XXX: N/A:					

## EXTERNAL DIMENSIONS



Remark: ( 1 ) In case of no tolerance shown in outline dimension: outline dimension  $\leq 1\text{mm}$ , tolerance should be  $\pm 0.2\text{mm}$ ;  
 Outline dimension  $> 1\text{mm}$  and  $\leq 5\text{mm}$ , tolerance should be  $\pm 0.3\text{mm}$ ; outline dimension  $> 5\text{mm}$ , tolerance should be  $\pm 0.4\text{mm}$ .

## Wiring diagram

