

Cod. DS0324BAK6



Standard and Approvals

- Switch according to IEC/EN 60947-3
- Certified UL60947-4-1A and CAN/CSA C22.2 No. 60947-4-1-07
- Suitable as Manual Motor Controller



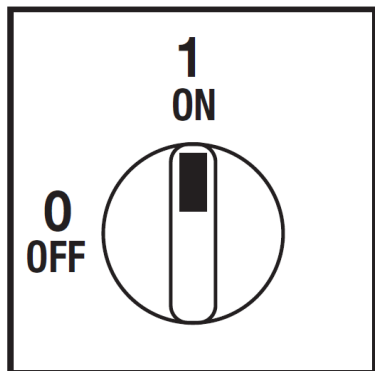
Technical characteristics: Body

- Disconnect switch 3+1N
- IP20 protection degree
- Rating operational current Ie: 32A (AC-21A)
- Rating thermal current Ith: 32A
- Rating insulation voltage: 690V
- Base Mounting
- Fixing: - with screws
- Din rail
- Switching angle: 90°
- Positive opening double break contacts, silver alloy made.
- Self-extinguishing class V2

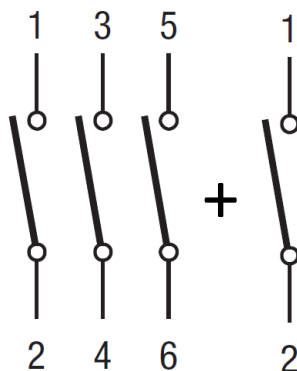
Technical characteristics: Plate and knob

- Grey plate 67x67mm and black padlockable knob (max. 3 padlocks)
- Protection degree IP66
- Fixing with 2 screw 28mm (1,10") vertical or 32mm (1,26") horizontal

Plate and position



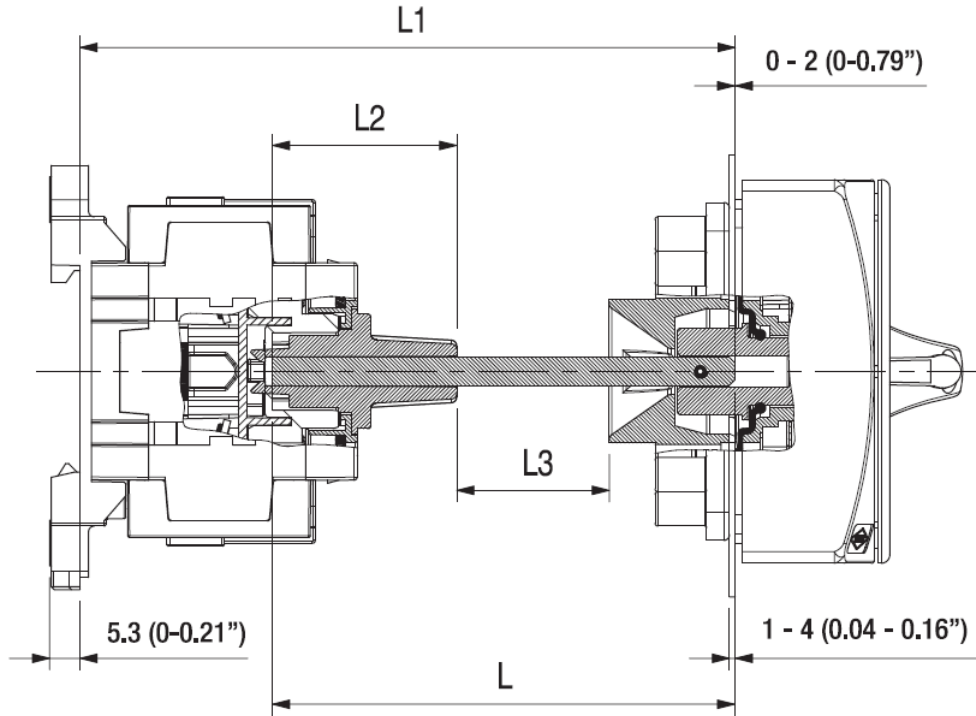
Electrical scheme



Cod. DS0324BAK6

measures in mm (in)

Dimensio



Cutting length of the extension shaft

The base mounting execution is provided with integrated control knob and includes the housing for the shaft and the fixing screw.

The depth of insertion of the shaft in the housing has a tolerance of about 20mm, this allows to reduce the need and the precision of the cutting to size (dimension L) of the shaft.

To determine the cut length L of the shaft, consider the following guidelines:

$L3 \geq 1\text{mm}$

$12\text{mm} \leq L2 \leq 32\text{mm}$

In practice: $L1 - 53\text{mm} \leq L \leq L1 - 33\text{mm}$

Drilling templates

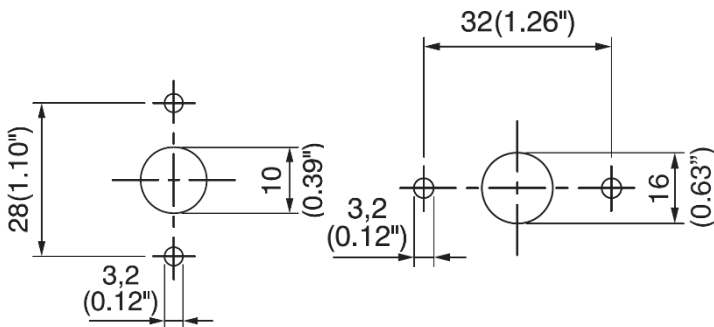
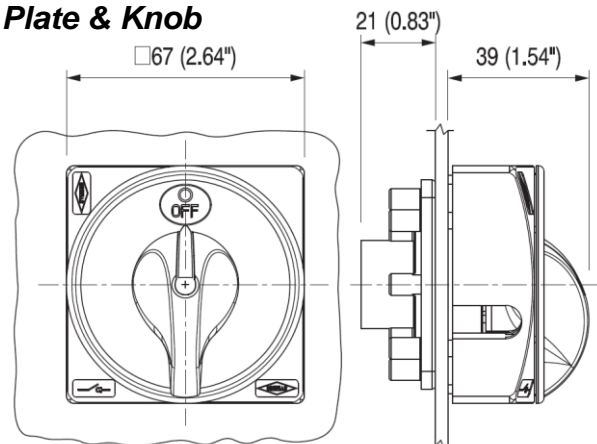


Plate & Knob



Cod. DS0324BAK6

Technical data IEC 947-3 EN 60947-3					
Rated insulation voltage		Ui	V	800	
Rated operating voltage		Ue	V	800	
Rated impulse withstand voltage		Uimp	kV	8	
Rated thermal current for open switch		Ith	A	32	
Rated thermal current for enclosed switch		Ithe	A	32	
Rated operation frequency			Hz	50/60	
Power dissipation for each pole			W	1,3	
Rated operating current Ie					
AC-21A Switching resistive loads, including moderate overloads	690V	Ie	A	32	
AC-22A Switching of mixed resistive and inductive loads, including moderate overloads	690V	Ie	A	32	
Rated operating power					
AC-23A Switching of motor loads or other highly inductive loads	400V		Kw (A)	11 (22)	
	690V		Kw (A)	11 (16)	
AC-3 Squirrel cage motors: starting, switching off motors during running	400V		Kw (A)	7,5 (14)	
	690V		Kw (A)	7,5 (8)	
Rated breaking capability in category AC-23A (cos φ=0,45)	400V		A	176	
	690V		A	128	
Short circuit protection					
Rated short time withstand current (1s)		Icw	A	400	
Rated short-circuit make capacity		Icm	A	750	
Rated conditional short-circuit current			kA	10	
With fuses class gG			500V	A	32
Technical data UL/CSA (sec. UL508)					
General use voltage		Ue	V	600	
General use current	600Vac	Ie	A	30	
Rated operating power					
1 phase - 2 pole	120V		Hp/FLA	1,5 / -	
	240V		Hp/FLA	3 / -	
	200V		Hp/FLA	- / -	
3 phase - 3 pole	240V		Hp/FLA	7,5 / 22	
	480V		Hp/FLA	15 / 21	
	600V		Hp/FLA	20 / 22	
Line protection fuses (DS size 1: Class RK5, 600Vac, 200kA A.I.C.), (DS size 2: Class J, 600Vac)			A	30	
Short Circuit Rating@600Vac			kA	5	
Mechanical characteristics					
Mechanical life (120 cycles/hour)		Operations x10 ⁶		0,03	
Connecting capability with flexible wires		Min-Max	mm ²	1,5 - 10	
Connecting capability with solid wires		Min-Max	mm ²	1,5 - 16	
Connecting capability with flexible wires		Min-Max	AWG	16/08	
Connecting capability with solid wires		Min-Max	AWG	16/06	
Terminal screw				M4	
Screw tightening torque			Nm	1,7	
			lbf-in	12	
Protection degree IEC 529 EN 60529					
Terminals				IP20	
Handles				IP66	
Ambient conditions					
Operational ambient temperature			°C	-25 ÷ +55	
Storage ambient temperature			°C	-25 ÷ +55	
Withstand to constant humid according to IEC 60068				sec. IEC 60068-2-78	
Withstand to cycling humid according to IEC 60069				sec. IEC 60068-2-30	