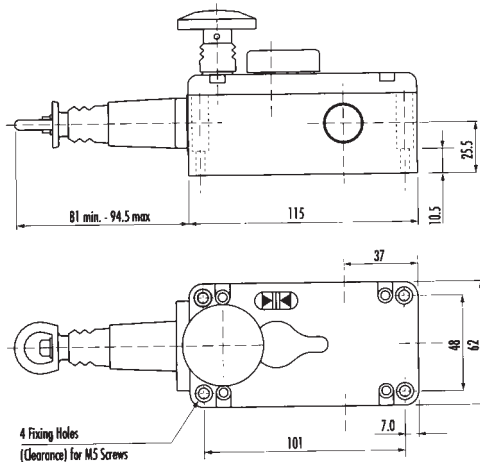


**Rope Switch
'Lifeline 4'**



LRTS Installation Kit

The Lifeline 4 rope/push button operated emergency stop device, has been designed to meet the stringent requirements for emergency stop equipment, EN418. The Lifeline 4 system can be installed along or around awkward machinery such as conveyors, roller machinery and provides a constant access emergency stop facility. The Lifeline 4 features a cam-action mechanism which ensures that the contacts are immediately latched open on actuation and can only be reset by intentional turning of the blue reset knob. This also protects against nuisance tripping due to thermal expansion, machine vibration or rope bounce. The Lifeline 4 is suitable for spans of up to 75 metre in length and can reduce the number of emergency stops along exposed machines. The unit provides 2 N/C safety contacts and 1 N/O auxiliary contact actuated by wire deflection or a mushroom head emergency stop button giving total E-stop access even at the extreme ends of the span. A robust construction in heavy duty die-cast alloy, sealed to IP66, with a stainless steel actuator shaft to withstand harsh conditions. The EX Lifeline 4 incorporates a sealed flameproof contact block and is suitable for Zone 1 & Zone 2 environments. Available pre-wired with 1 N/C & 1 N/O contact, it offers the same safety features and operating principles as the standard version. Installation kits are available in lengths of 5, 10, 15, 20, 30, 50, 75 metre, and comprise of rope, tensioner, 2 rope grips, & eye-bolts.

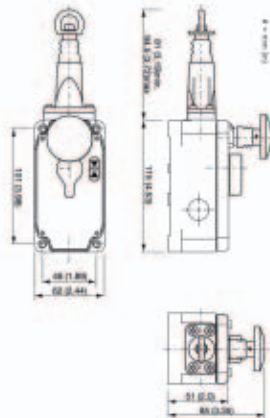


Contact arrangements

Lifeline 4	3 N/C (safety), 1 N/C (auxiliary)
EX Lifeline 4	1 N/C (safety), 1 N/O (auxiliary)
Ratings, Lifeline 4	1A at 500VAC, 5A at 100VAC, 2 A at 24 Vdc
EX Lifeline 4	250V ac/dc, 5A ac, 0.4A dc
Temperature	-25°C to + 80°C
IP Rating	IP66
Housing material	Die-cast aluminium alloy
Conduit entry	3 x M20 (Lifeline 4), Pre-wired (EX)
Approvals	UL, BG

Stock No.	Manf Ref'	Type	Unit Price		
			1-4	5-9	10-24
5105769	440E-L13042	LIFELINE 4	59.00	57.53	56.05
5105781	440E-H13046	LIFELINE 4 (EX)	180.00	175.50	171.00
5105805	440E-A13079	LRTS KIT 5M	23.00	22.43	21.85
5105808	440E-A13080	LRTS KIT 10M	27.00	26.33	25.65
5105811	440E-A13081	LRTS KIT 15M	37.00	36.08	35.15
5105814	440E-A13082	LRTS KIT 20M	42.00	40.95	39.90
5105817	440E-A13083	LRTS KIT 30M	54.00	52.65	51.30
5105820	440E-A13084	LRTS KIT 50M	77.00	75.08	73.15
5105823	440E-A13085	LRTS KIT 75M	96.00	93.60	91.20

**Rope Switch
'Lifeline 4, Stainless'**



A Stainless Steel version of the popular Lifeline 4 rope switch with 2 N/C safety contacts and 2 N/O auxiliary contacts. The stainless model has external mounting holes and a gasket seal between lid and body that protrudes to avoid trapping food. The stainless model rope kit comprises stainless steel adjustable eye bolts, p bolts and rope. Although the simpler LRTS kit, which is adjusted by allen key can be used, it is not of stainless construction.

Stock No.	Manf Ref'	Type	Unit Price		
			1-4	5-9	10-24
5106150	440E-L22BNSM	LIFELINE 4 STAINLESS	119.00	116.03	113.05
5106153	440E-A13194	ROPE KIT 5M	110.00	107.25	104.50
5106156	440E-A13195	ROPE KIT 10M	115.00	112.13	109.25
5106159	440E-A13196	ROPE KIT 15M	125.00	121.88	118.75
5106162	440E-A13197	ROPE KIT 20M	130.00	126.75	123.50
5106165	440E-A13198	ROPE KIT 30M	150.00	146.25	142.50
5106174	440E-A13199	ROPE KIT 50M	190.00	185.25	180.50
5106177	440E-A13200	ROPE KIT 75M	225.00	219.38	213.75