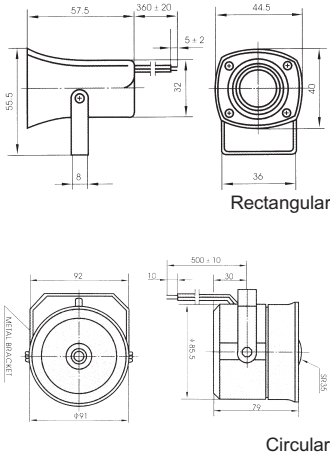
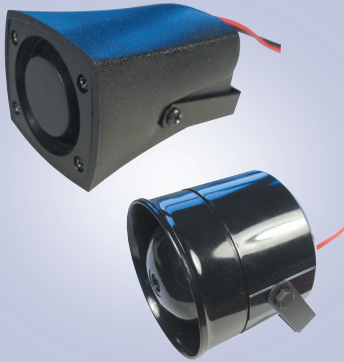


**High Output Piezo Alarm Sirens**

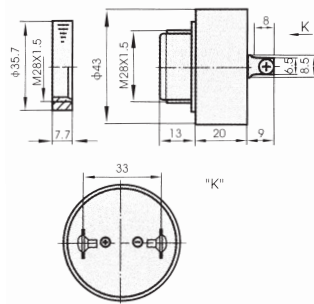


High quality, high output alarm sirens complete with adjustable mounting brackets and trailing leads. These sirens are ideal for automotive and intruder alarm systems.

|                          |                    |                 |
|--------------------------|--------------------|-----------------|
|                          | W-12B1             | W19             |
| Sound output at 1M/12VDC | 100 db             | 110 db          |
| Rated voltage            | 12VDC              | 12VDC           |
| Operating Voltage        | 6-16VDC            | 8-15VDC         |
| Max. consumption         | 150mA              | 1A              |
| Tone nature              | Siren              | Siren           |
| Case material/colour     | ABS/black          | PC/black        |
| Temperature              | -20°C to +70°C     | -20°C to +105°C |
| Dimensions               | 57.5 x 44.5 x 55.5 | Ø91 x 79        |

| Stock No. | Manf Ref' | Type        | Unit Price |       |      |
|-----------|-----------|-------------|------------|-------|------|
|           |           |             | 1-24       | 25-49 | 50+  |
| 4061248   | W-12B1    | RECTANGULAR | 6.20       | 5.58  | 5.27 |
| 4061251   | W19       | CIRCULAR    | 8.50       | 7.65  | 7.23 |

**Panel Mounted Alarms Extra Loud**



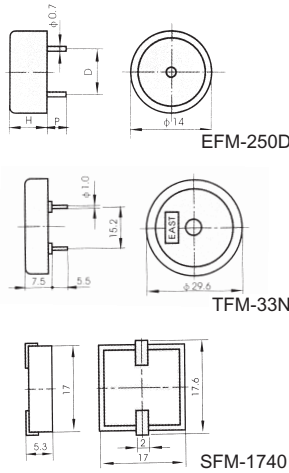
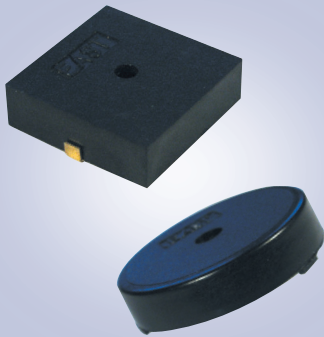
Dimensions for 12VDC version

A range of panel mounted piezo buzzers that are ideal for areas with medium background noise where the average sound level is between 50 & 110db. Available in three voltages with continuous or fast pulse tones. Screw or fast-on termination and knurled nut for easy panel mounting.

|                       |              |              |              |
|-----------------------|--------------|--------------|--------------|
| Rated voltage         | 12VDC        | 24VDC        | 220VAC       |
| Min. Sound output     | 90db/600mm   | 95db/300mm   | 85db/300mm   |
| Operating voltage     | 6-28VDC      | 4-28VDC      | 110-220VAC   |
| Max. consumption      | 32mA         | 22mA         | 20mA         |
| Oscillating frequency | 2.9kHz       | 2.9kHz       | 2.9kHz       |
| Temperature           | -20 to +70°C | -20 to +70°C | -20 to +60°C |
| Diameter              | 43           | 43.5         | 43           |
| Depth behind panel    | 29           | 30           | 29           |

| Stock No. | Manf Ref'  | Type/Tone       | Unit Price |       |      |
|-----------|------------|-----------------|------------|-------|------|
|           |            |                 | 1-24       | 25-49 | 50+  |
| 4061254   | FM-12B900A | 12V CONTINUOUS  | 4.50       | 4.05  | 3.83 |
| 4061257   | FM-12B901A | 12V FAST PULSE  | 4.50       | 4.05  | 3.83 |
| 4061260   | FM-24D900  | 24V CONTINUOUS  | 4.50       | 4.05  | 3.83 |
| 4061263   | FM-24D901  | 24V FAST PULSE  | 4.50       | 4.05  | 3.83 |
| 4061266   | FM-220B900 | 220V CONTINUOUS | 4.50       | 4.05  | 3.83 |
| 4061269   | FM-220B901 | 220V FAST PULSE | 4.50       | 4.05  | 3.83 |

**Piezo Alarms Externally Driven**

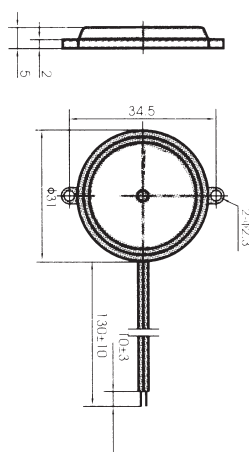


General purpose piezo alarms for surface or PCB mounting with footprints of either 7.6mm or 15.2mm. Low current consumption makes the alarms ideal for office equipment, telecoms, computer equipment etc. Oscillating frequency equals drive frequency.

|                          |              |              |              |
|--------------------------|--------------|--------------|--------------|
|                          | EFM-250D     | TFM-33N      | SFM-1740     |
| Rated voltage (Vp-p max) | 20           | 30           | 20           |
| Consumption              | 2mA          | 3mA          | 2.5mA        |
| Capacitance at 1kHz (nf) | 10           | 20           | 14           |
| Sound output at 100mm    | 80db         | 90db         | 80db         |
| Resonant frequency       | 4.1kHz       | 3kHz         | 4kHz         |
| Temperature              | -20 to +70°C | -20 to +70°C | -20 to +85°C |
| Termination              | PCB (7.6)    | PCB (15.2)   | Surface      |
| Height above board       | 7.5mm        | 7.5mm        | 5.3mm        |
| Dimensions               | Ø14mm        | Ø29.6mm      | 17 x 17mm    |

| Stock No. | Manf Ref' | Type             | Unit Price |       |      |
|-----------|-----------|------------------|------------|-------|------|
|           |           |                  | 1-24       | 25-49 | 50+  |
| 4061272   | EFM-250D  | 7.6MM FOOTPRINT  | 0.58       | 0.52  | 0.49 |
| 4061275   | TFM-33N   | 15.2MM FOOTPRINT | 0.63       | 0.57  | 0.54 |
| 4061278   | SFM-1740  | SURFACE MOUNT    | 1.09       | 0.98  | 0.93 |

**Flange Mount Piezo Alarms Internally Driven**



General purpose piezo alarms for flange mounting with a built-in drive circuit and flying lead. These alarms have a high sound pressure level with a continuous tone and low current consumption.

|                       |              |
|-----------------------|--------------|
|                       | EFM-940L     |
| Rated voltage         | 12VDC        |
| Operating voltage     | 3-20VDC      |
| Consumption           | 8mA          |
| Sound output min.     | 70db         |
| Oscillating frequency | 3.1kHz       |
| Temperature           | -20 to +70°C |
| Termination           | Flying lead  |
| Height above board    | 5mm          |
| Dimensions            | Ø31mm        |
| Tone nature           | Continuous   |

| Stock No. | Manf Ref' | Type              | Unit Price |       |      |
|-----------|-----------|-------------------|------------|-------|------|
|           |           |                   | 1-24       | 25-49 | 50+  |
| 4061281   | EFM-940L  | 12VDC SELF DRIVEN | 1.39       | 1.25  | 1.18 |