

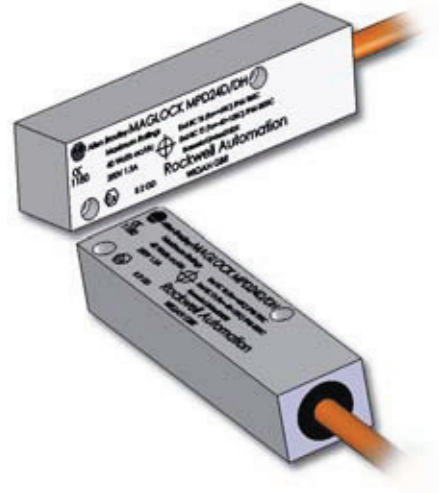
Ex Proximity Switches

Ex Proximity Switches

MPS 24D/DH, MPS 26D/DH

MPS 34D/DH, MPS 36D/DH

- BASEEFA certified
- Magnetically actuated
 - See page 37 for actuators (supplied separately)
- Stainless steel housing
- Water, oil and dustproof to IP68
- MPS 24's & 34's for resistive or solid state circuits
- MPS 26's & 36's for direct switching of inductive circuits



Special conditions for use relevant to certification No. Baseefa 02ATEX 0183X

Must comply with the installation requirements as specified in EN60079-14.

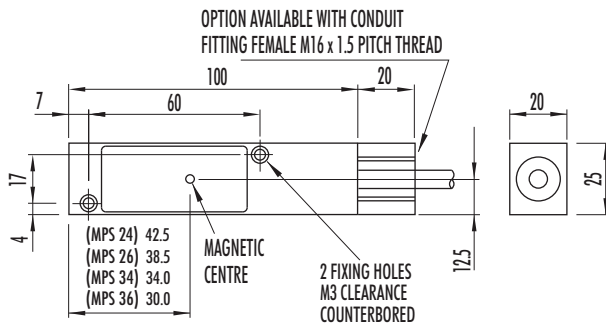
The remote end of the integral cable must be terminated in a connection facility suitable for the conditions of use.

MPS34D/DH and **MPS36D/DH**. Earthing should be provided by connection of a braid of the cable or by the mounting to adjacent metal work.

Consideration shall be given to the need for mechanical protection of the flexible cable integral with the apparatus.

MPS24D/DH and **MPS26D/DH**. Earthing should be made to the sheath of the MICC or by the mounting to adjacent metal work.

dimensions



ordering details

Switch	Contact material	Max. volts	Max. current	Power	Cable	Part No.	Pack size
MPS 24D/DH	Tungsten	250V ac/dc	1.5A ac/dc	40W/VA (3W/VA min)	3M MICC	443S-M566001	1
	Tungsten	250V ac/dc	1.5A ac/dc	40W/VA (3W/VA min)	10M MICC	443S-M566033	1
	Rhodium	250V ac/dc	0.5A ac/dc	15W/VA	3M MICC	443S-M566011	1
MPS 26D/DH	Silver alloy	250V ac/dc	2A ac 0.5A dc	500VA ac 125W dc	3M MICC	443S-M566051	1
MPS 34D/DH	Tungsten	250V ac/dc	1.5A ac/dc	40W/VA (3W/VA min)	3M Polyolefin	443S-M566101	1
	Tungsten	250V ac/dc	1.5A ac/dc	40W/VA (3W/VA min)	3M GSWB	443S-M566107-10	10
	Rhodium	250V ac/dc	0.5A ac/dc	15W/VA	3M Polyolefin	443S-M566111	1
MPS 36D/DH	Silver alloy	250V ac/dc	2A ac 0.5A dc	500VA ac 125W dc	3M Polyolefin	443S-M566151	1

These switches require a magnetic actuator. Refer to page 37.

technical specifications

Contact arrangement	C/O single pole (change over)
(MPS 24D/DH, 34D/DH)	N/C single pole (power reed)
(MPS 26D/DH, 36D/DH)	
Contact material	Tungsten or Rhodium
(MPS 24D/DH, 34D/DH)	Silver alloy
(MPS 26D/DH, 36D/DH)	
Case material	Stainless steel
Protection	IP 68 (water/oil/dust)
Operating temperature	-40°C to +125°C
Fixings	2 x M3
Contact operating distance	See page 37
Mechanical life	500 x 10 ⁶ typical
Electrical life	Subject to switched load
Cable	
(MPS 24D/DH)	3m MICC 3L1.5 (optional PVC sheath)
(MPS 26D/DH)	3m MICC 2L2.5 (optional PVC sheath)
(MPS 34D/DH)	3m Polyolefin 3 core copper braided
(MPS 36D/DH)	3m Polyolefin 2 core copper braided
Connections	
(MPS 24D, 24DH)	Cores unmarked. Use circuit tester.
(MPS 34D, 34DH)	N/O black & white, N/C red & white.
Weight	MPS 34 & 36 - 0.8Kg, MPS 24 & 26 - 1Kg
Conforms to standards	EN 60204-1, EN 60079-1
Certification	Exd IIC T6 (Ta= -40+60°C), Exd II T3 (Ta= -40+125°C) Certification No. Baseefa 02ATEX 0183X

