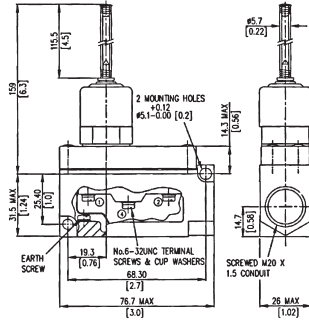
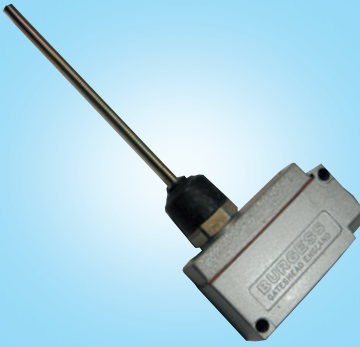


Industrial Metal Housed Microswitch

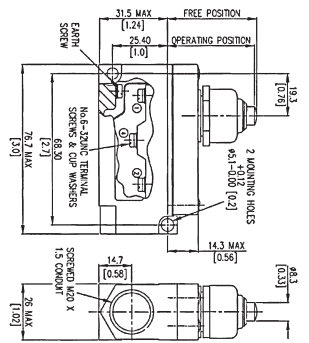


A single pole changeover microswitch housed in aluminium offering high reliability and long life in harsh industrial environments. Insert switch attached to lid provides quick and efficient installation. Available with a cowl protected wobble stick which operates on 30mm (max.), of lateral movement at the tip, in any direction when displaced from rest.

Electrical rating 15 A at 480 VAC, 15 A at 15 VDC (resistive)
 Contacts / Material Single pole changeover / Fine silver
 Conduit entry M20, screw terminals & cup washers
 Mechanical life 10⁵
 Temperature -10° C to +85° C
 IP Rating IP67 (seal conduit entry with compound)
 Housing / Plunger Aluminium alloy / Stainless steel
 Operating force.N 1.5
 Operating position.mm 30 (max.) at tip in any direction
 Approvals UL, CSA

Stock No.	Manf Ref'	Type	Unit Price		
			1-9	10-49	50-99
2192080	M9CTQMSF	WOBBLE STICK	65.71	59.14	50.27

Industrial Stainless Steel Microswitch

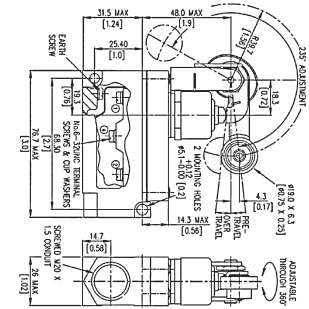


A single pole changeover microswitch housed in stainless steel offering high reliability and resistance to corrosion. Suitable for marine environments and aggressive cleaning applications. Insert switch attached to lid provides quick and efficient installation. Available with a cowl standard plunger and protected to IP67.

Electrical rating 15 A at 480 VAC, 15 A at 15 VDC (resistive)
 Contacts / Material Single pole changeover / Silver
 Conduit entry M20, screw terminals & cup washers
 Mechanical life 10⁵
 Temperature -10° C to +85° C
 IP Rating IP67 (seal conduit entry with compound)
 Housing / Plunger Aluminium alloy / Stainless steel
 Operating force.N 6.7
 Release force.N 1.7
 Pre-travel.mm 2
 Differential travel.mm 0.08
 Overtravel.mm 4.6
 Approvals UL, CSA

Stock No.	Manf Ref'	Type	Unit Price		
			1-9	10-49	50-99
2193430	M9CTQMS3133	COWLED PLUNGER	Consult		

Industrial Stainless Steel Microswitch



A single pole changeover microswitch housed in stainless steel offering high reliability and resistance to corrosion. Suitable for marine environments and aggressive cleaning applications. Available with a cowl protected roller lever adjustable through 360° horizontally and 235° vertically.

Electrical rating 15 A at 480 VAC, 15 A at 15 VDC (resistive)
 Contacts / Material Single pole changeover / Fine silver
 Conduit entry M20, screw terminals & cup washers
 Mechanical life 10⁵
 Temperature -10° C to +85° C
 IP Rating IP67 (seal conduit entry with compound)
 Housing / Plunger Aluminium alloy / Stainless steel
 Operating force.N 5.6
 Release force.N 1.7
 Pre-travel.mm 10°
 Differential travel.mm 0.5°
 Overtravel.mm 6.5°
 Approvals UL, CSA

Stock No.	Manf Ref'	Type	Unit Price		
			1-9	10-49	50-99
2193433	M9CTQMSA3133	ADJ. ROLL LEVER	Consult		

