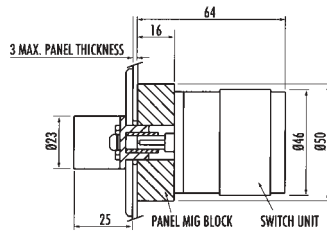


**Rotary Key Switch  
Panel Mounted**

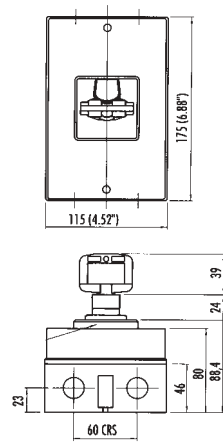
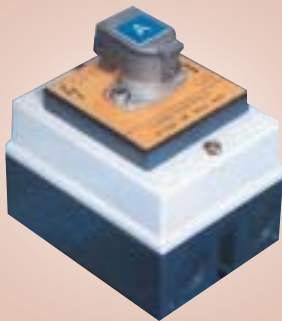


A panel mounted 4 pole, 20 Amp rotary key switch to be used for the electrical isolation of machinery to enable safe access. Key trapped/switch on, key free/switch off with 2 N/O + 2 N/C contacts. Featuring all stainless steel interlocking and coded parts, including coded barrel & internal components. High visibility trafilite label. Available in six different key code options A to F. Other key code options can be supplied upon request.

Uninterrupted current 20 Amp  
Operational voltage 690 volts  
Electrical operations >100,000  
Dust cap Stainless steel, weather proof  
Approvals UL, CSA, TUV, BG  
Please order keys separately.

Stock No.	Manf Ref'	Type	Unit Price		
			1-4	5-9	10-24
1912668	RPSE11	A	89.90	87.20	84.51
1912671	RPSE11	B	89.90	87.20	84.51
1912674	RPSE11	C	89.90	87.20	84.51
1912677	RPSE11	D	89.90	87.20	84.51
1912680	RPSE11	E	89.90	87.20	84.51
1912686	RPSE11	F	89.90	87.20	84.51

**Rotary Key Switch  
Box Mounted**

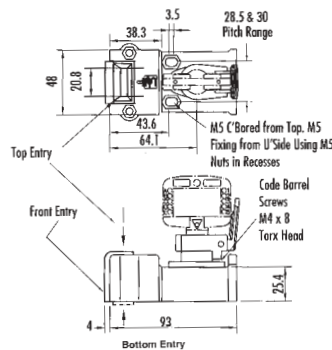


A 4 pole, 20 Amp rotary key switch in a IP65 enclosure to be used for the electrical isolation of machinery to enable safe access. Key trapped/switch on, key free/switch off with 2 N/O + 2 N/C contacts. Featuring all stainless steel interlocking and coded parts, including coded barrel & internal components. High visibility trafilite label. Available in six different key code options A to F.

Uninterrupted current 20 Amp  
Operational voltage 690 volts  
Electrical operations >100,000  
IP Rating IP65  
Dust cap Stainless steel, weather proof  
Approvals UL, CSA, TUV, BG  
Please order keys separately.

Stock No.	Manf Ref'	Type	Unit Price		
			1-4	5-9	10-24
1912689	RKSE11	A	136.90	132.79	128.69
1912692	RKSE11	B	136.90	132.79	128.69
1912695	RKSE11	C	136.90	132.79	128.69
1912698	RKSE11	D	136.90	132.79	128.69
1912701	RKSE11	E	136.90	132.79	128.69
1912704	RKSE11	F	136.90	132.79	128.69

**'Slamlock' Single Key**

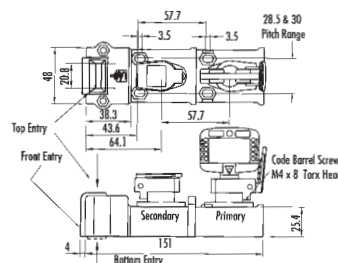


Slamlock single key is an access interlock which traps the actuator until insertion and rotation of the key. Featuring all stainless steel interlocking and coded parts, including coded barrel & internal components. Suitable for partial body access. Available in six different key code options A to F. Other key code options can be supplied upon request.

Dust cap Stainless steel, weather proof  
Fixings 2 x M6  
Dimensions 97 x 48 x 93mm  
Approvals BG, UL pending  
Can be supplied with a flexible actuator, please enquire.  
Please order keys separately.

Stock No.	Manf Ref'	Type	Unit Price		
			1-4	5-9	10-24
1912707	SSLE10	A	116.10	112.62	109.13
1912710	SSLE10	B	116.10	112.62	109.13
1912713	SSLE10	C	116.10	112.62	109.13
1912716	SSLE10	D	116.10	112.62	109.13
1912719	SSLE10	E	116.10	112.62	109.13
1912722	SSLE10	F	116.10	112.62	109.13

**'Slamlock' Dual Key**



Slamlock dual key is an access interlock which traps the actuator until insertion and rotation of the key. Featuring all stainless steel interlocking and coded parts, including coded barrel & internal components. Suitable for full body access with one key in/one key out, enabling operator to use secondary key as a personnel key, to avoid being locked in. Other key code options can be supplied upon request.

Dust cap Stainless steel, weather proof  
Fixings 2 x M6  
Dimensions 97 x 48 x 93mm  
Approvals BG, UL pending  
Can be supplied with a flexible actuator, please enquire.  
Supplied with one trapped primary key, included in price  
Please order secondary key separately.

Stock No.	Manf Ref'	Type	Unit Price		
			1-4	5-9	10-24
1912755	DSLE10	(A) IN (B) OUT	244.50	237.17	229.83
1912758	DSLE10	(B) IN (C) OUT	244.50	237.17	229.83