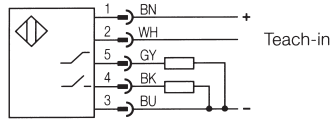
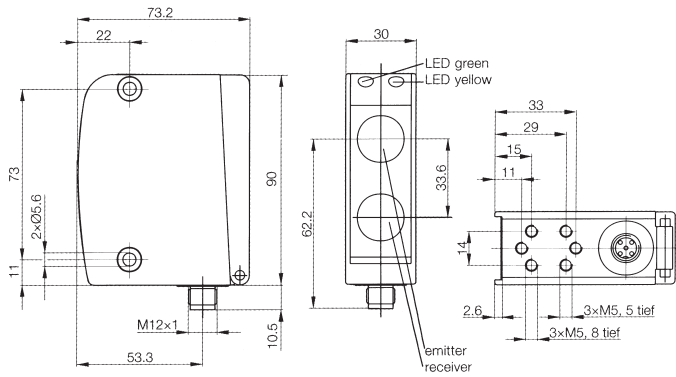


**Laser Distance Sensor
20...200cm Analogue Output**



A laser distance sensor which produces an analogue voltage output proportional to the distance between the object and the sensor face. This sensor also provides an additional switching output allowing it to be used as a normal diffuse sensor with background suppression. Housed in a rugged metal housing with scratch resistant glass optics. Reverse polarity and short circuit protected.

- Nominal sensing ranges 200..2000mm
- Analogue output 1..10V DC
- Switched output PNP
- Supply voltage 18-30 volt DC
- Rated output current ≤ 250 mA, analogue & switched output
- Off state current ≤ 150 mA
- On/off delay ≤ 100 ms
- Laser protection Class 1
- Emitter type Laser light red 660 nm
- Linearity ≤ 0.5%
- Resolution ≤ 5mm
- Frequency 10..100 Hz dependant on object reflectivity
- Sensitivity adjustment Teach-in
- Temperature -20 to + 50°C
- Built in LED's Yes (red/function, green/status indicator)
- IP Rating IP65
- Body material Cast zinc
- Connection type M12 connector, 5 wire type (brown/+ve, white/teach-in, black/NO output grey/analogue output, blue/-ve)



Stock No.	Manf Ref'	Type	Unit Price
2668660	BOD66M-LA-04-C-S 92	PNP N/O	642.11