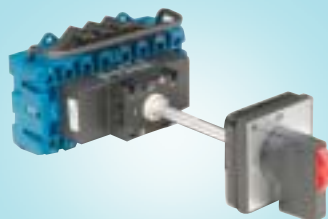


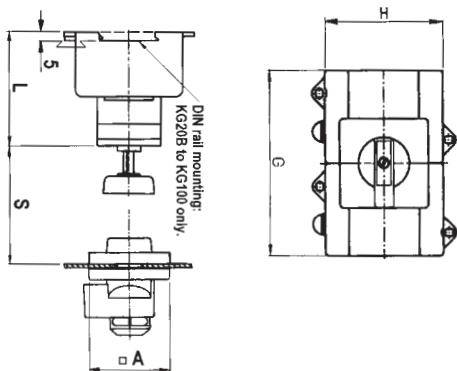
## 4 Pole Changeover Switch Centre Off



Three position 4 pole switches with 2 auxiliaries (early break), for changing between alternative supplies. These devices are typically used to change between primary power supplies to a standby generator or emergency supply in the event of power outage. All switches are interlocked to prevent door opening whilst the switch is 'ON'. All switches are protected to IP65. Fingerproof terminals on the 20 - 63 Amp.

Rated Current (A)	25	32	40	63	80	100	125	160
No. of poles	4	4	4	4	4	4	4	4
Auxiliary switches	2	2	2	2	2	2	2	2
Rated insulation voltage (V)	690	690	690	690	690	690	1000	1000
Motor rating, AC23A (kW)	5.5	7.5	11	15	22	30	45	55
Max. cable size (sq. mm)	6	6	16	16	35	35	95	95
Conforms to	IEC 60 947, IEC 60 204, BS EN 60 947, BS EN 60 204							
Dimensions (mm)								
A	64	64	64	64	64	64	88	88
B	48	48	48	48	48	48	68	68
D1	22	22	22	22	22	22	27	27
D2	5	5	5	5	5	55	6	6
L	66.5	66.5	77	77	89.2	89.2	93	93
S	32-125	32-125	35-132	35-132	35-130	35-130	50-199	50-199
Length	111	111	132	132	184	184	300	300
Width	54	54	64	64	80	80	109	109

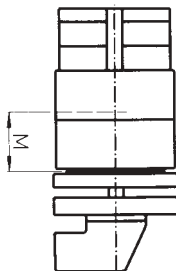
**Note:** 2 volt free, early break, auxiliary contacts are provided with each changeover switch. One of these contacts closes in position 1 and the other contact closes in position 2. Both contacts are open in the 'OFF' position. Factory fitted auxiliary contacts are integral with the main switch body, they are not the side mounting type.



Stock No.	Manf Ref'	Current	No. Poles	Unit Price		
				1-4	5-9	10-24
8901238	KG20BT904/GBA006VE	25A	4 + AUX	35.26	34.20	33.14
8901289	KG32BT904/GBA006VE	32A	4 + AUX	40.92	39.69	38.46
8901316	KG41BT904/GBA006VE	40A	4 + AUX	49.77	48.28	46.78
8901343	KG64BT904/GBA006VE	63A	4 + AUX	58.69	56.93	55.17
8901370	KG80T904/GBA006VE	80A	4 + AUX	98.73	95.77	92.81
8901163	KG100T904/GBA006VE	100A	4 + AUX	118.20	114.65	111.11
8901193	KG127T904/GBA006VE	125A	4 + AUX	224.85	218.10	211.36
8901208	KG162T904/GBA006VE	160A	4 + AUX	276.05	267.77	259.49

16 >

## Power Failure Switch 4 Pole



Dimension 'M' = 31.5mm

Panel mounted undervoltage safety switch with padlock facility, designed to open the switch contacts upon power failure and will prevent equipment from restarting automatically. Switch must be manually reset with supplies restored to continue. Switch is supplied complete with switch body, escutcheon plate and handle.

Coil supply	220-240V at 50Hz
Undervoltage release	70% of nominal voltage
Contact rating	20 Amp
Motor rating AC-23A	7.5kW
Switching voltage	690V
Switch positions	60° to the right of centre 'OFF'
Escutcheon	64 x 64mm
Conforms to	IEC 947-3, VDE 0660 part 107

Stock No.	Manf Ref'	Type	Unit Price		
			1-4	5-9	10-24
8901376	CA10Y-SP1	4 POLE	33.97	32.95	31.93

DIN rail mounting:  
KG10B to KG100 only.