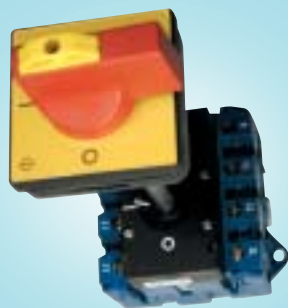


4 Pole Isolator DIN or Base Mounting



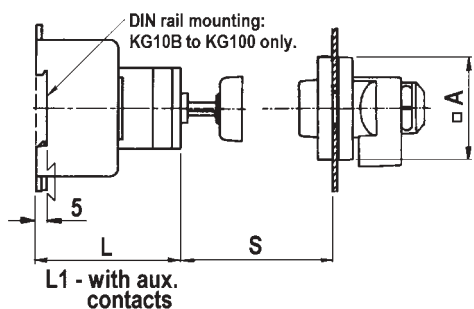
A range of high quality 4 pole DIN rail or base mounted switch disconnectors, padlockable in the 'OFF' position. 2 N/O (early break) and 2 N/C auxiliary contacts are incorporated in all switches above 100 Amp. All switches handles are 4 hole mounting and are interlocked to prevent door opening whilst the switch is 'ON'. All switches are protected to IP65. Fingerproof terminals on the 20 - 63 Amp although live terminal shrouds are also available.

Rated Current (A)	20	25	32	40	63	80	100	125	160	250	315
No. of poles	4	4	4	4	4	4	4	4	4	4	4
Auxiliary switches (2NO+2NC)	NO	NO	NO	NO	NO	NO	NO	YES	YES	YES	YES
Rated insulation voltage (V)	690	690	690	690	690	690	690	1000	1000	1000	1000
Motor rating, AC23A (kW)	5.5	7.5	11	15	22	30	37	45	55	90	110
Max. cable size (sq. mm)	2.5	6	6	16	16	35	35	95	95	185	185
Conforms to	IEC 60 947, IEC 60 204, BS EN 60 947, BS EN 60 204										
Dimensions (mm)											
A	64	64	64	64	64	64	64	88	88	88	88
B	48	48	48	48	48	48	48	68	68	68	68
D1	22	22	22	22	22	22	22	27	27	27	27
D2	5	5	5	5	5	5	5	6	6	6	6
L	56.2	50	50	61	61	68	68	91	91	98	98
L1	65.7	59	59	71	71	78	78	91	91	98	98
S	35-118	32-125	32-125	35-132	35-132	35-130	35-130	50-309	50-309	50-309	50-309
Length	48	55.5	55.5	66	66	92	92	150	150	187.5	187.5
Width	50	54	54	64	64	80	80	190	190	219	219

Note: Width dimension includes terminal cover for the 125A to 315A switches. For the 80A and 100A, add 26mm on the side that the cover is fitted.

Base mounting switches are available with alternative operating shafts, either longer than the types shown in this catalogue or with fixed shaft lengths to suit customer applications. Please contact sales.

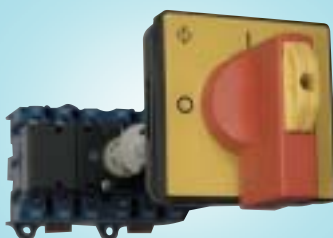
Fully rated side mounted neutral terminal blocks, side mounted auxiliary contacts and side mounted earth terminals are available. Please refer to the relevant sections.



Stock No.	Manf Ref'	Current	No. Poles	Unit Price		
				1-4	5-9	10-24
8901178	KG10BT214/65VE	20A	4	18.26	17.71	17.16
8901232	KG20BT214/65VE	25A	4	21.50	20.86	20.21
8901286	KG32BT214/65VE	32A	4	24.15	23.43	22.70
8901313	KG41BT214/65VE	40A	4	27.56	26.73	25.91
8901340	KG64BT214/65VE	63A	4	31.75	30.80	29.85
8901367	KG80T214/65VE	80A	4	47.57	46.14	44.72
8901160	KG100T214/65VE	100A	4	57.32	55.60	53.88
8901187	KG126T204GBA004VE	125A	4 + AUX	116.95	113.44	109.93
8901202	KG161T204GBA004VE	160A	4 + AUX	142.56	138.28	134.01
8901247	KG251T204GBA004VE	250A	4 + AUX	186.90	181.29	175.69
8901259	KG316T204GBA004VE	315A	4 + AUX	230.09	223.19	216.28

16 >

6 Pole Isolator DIN or Base Mounting



A range of high quality 6 pole DIN rail or base mounted switch disconnectors, padlockable in the 'OFF' position. 25 and 32Amp have 1 N/O + 1 N/C auxiliary contacts, 40 - 100Amp have 2 N/O (early break) auxiliary contacts, incorporated. All switches handles are 4 hole mounting and are interlocked to prevent door opening whilst the switch is 'ON'. All switches are protected to IP65. Fingerproof terminals on the 20 - 63 Amp although live terminal shrouds are also available.

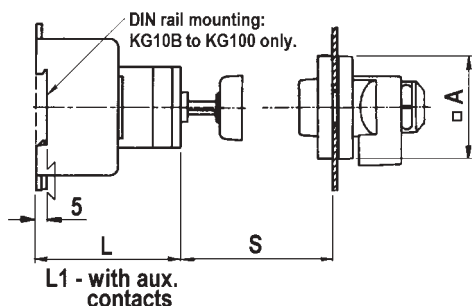
Rated Current (A)	25	32	40	63	80	100
No. of poles	6	6	6	6	6	6
Auxiliary switches	1N/O+1N/C	1N/O+1N/C	2N/O	2N/O	2N/O	2N/O
Rated insulation voltage (V)	690	690	690	690	690	690
Motor rating, AC23A (kW)	7.5	11	15	22	30	37
Max. cable size (sq. mm)	6	6	16	16	35	35
Conforms to	IEC 60 947, IEC 60 204, BS EN 60 947, BS EN 60 204					
Dimensions (mm)						
A	64	64	64	64	64	64
B	48	48	48	48	48	48
D1	22	22	22	22	22	22
D2	5	5	5	5	5	5
L	57.5	57.5	67	67	79.2	79.2
L1	66.5	66.5	77	77	89.2	89.2
S	32-125	32-125	35-132	35-132	35-130	35-130
Length	84	84	100	100	140	140
Width	54	54	64	64	80	80

Note: For the 80A and 100A, add 26mm on the side that the cover is fitted.

Factory fitted auxiliary contacts are integral with the main switch body, except for the 25A and 32A, which have a side mounted auxiliary block fitted.

Base mounting switches are available with alternative operating shafts, either longer than the types shown in this catalogue or with fixed shaft lengths to suit customer applications. Please contact sales.

Fully rated side mounted neutral terminal blocks, side mounted auxiliary contacts and side mounted earth terminals are available. Please refer to the relevant sections.



Stock No.	Manf Ref'	Current	No. Poles	Unit Price		
				1-4	5-9	10-24
8901220	KG20BT206/GBA090VE	25A	6 + AUX	30.24	29.33	28.43
8901274	KG32BT206/GBA090VE	32A	6 + AUX	34.47	33.44	32.40
8901298	KG41BT206/GBA195VE	40A	6 + AUX	37.54	36.41	35.29
8901325	KG64BT206/GBA195VE	63A	6 + AUX	44.52	43.18	41.85
8901352	KG80T206/GBA195VE	80A	6 + AUX	73.22	71.02	68.83
8901145	KG100T206/GBA195VE	100A	6 + AUX	88.00	85.36	82.72