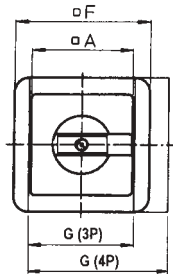
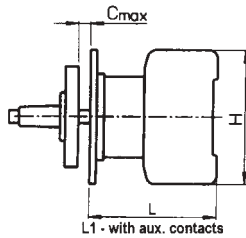


## Isolator Front Panel Mounting



A range of high quality 3 and 4 pole panel door mounted switch disconnectors, padlockable in the 'OFF' position. The 125 Amp and 160 Amp switches, have 2 N/O (early break) and 2 N/C auxiliary contacts incorporated. All switches are 4 hole mounting and are protected to IP65. Fingerproof terminals on the 20 - 63 Amp. Live terminal shrouds are also available.

Rated Current (A)	20	25	32	40	63	80	100	125	160
Auxiliary switches (2NO+2NC)	NO	NO	NO	NO	NO	NO	NO	YES	YES
Rated insulation voltage (V)	690	690	690	690	690	690	690	1000	1000
Motor rating, AC23A (kW)	5.5	7.5	11	15	22	30	37	45	55
Max. cable size (sq. mm)	2.5	6	6	16	16	35	35	95	95
Conforms to	IEC 60947, IEC 60 204, BS EN 60 947, BS EN 60 204								
Dimensions (mm)									
A	64	64	64	64	64	64	64	88	88
B	48	48	48	48	48	48	48	68	68
C	4	4	4	4	4	4	4	5.5	5.5
D1	11-15	10	10	10	10	10	10	13	13
D2	5	5	5	5	5	5	5	6	6
F	64	64	64	64	64	88	88	-	-
G-3 Pole	48	42	42	50	50	70	70	112	112
G-4 Pole	48	55.5	55.5	66	66	92	92	150	150
H	50	54	54	64	64	80	80	190	190
L	57.2	53.8	53.8	60.5	60.5	70.6	70.6	96	96
L1	66.7	62.8	62.8	70.5	70.5	80.6	80.6	117	117



Front Panel Mounting

Stock No.	Manf Ref'	Current	No. Poles	Unit Price		
				1-4	5-9	10-24
8901169	KG10BT213/04E	20A	3	11.06	10.73	10.40
8901223	KG20BT213/04E	25A	3	11.84	11.48	11.13
8901277	KG32BT213/04E	32A	3	14.11	13.69	13.26
8901304	KG41BT213/04E	40A	3	16.37	15.88	15.39
8901331	KG64BT213/04E	63A	3	20.14	19.54	18.93
8901358	KG80T213/04E	80A	3	30.47	29.56	28.64
8901151	KG100T213/04E	100A	3	37.86	36.72	35.59
8901184	KG126T203GBA005E	125A	3 + AUX	87.33	84.71	82.09
8901199	KG161T203GBA005E	160A	3 + AUX	106.45	103.26	100.06
8901175	KG10BT214/04E	20A	4	12.28	11.91	11.54
8901229	KG20BT214/04E	25A	4	14.87	14.42	13.98
8901283	KG32BT214/04E	32A	4	17.73	17.20	16.67
8901310	KG41BT214/04E	40A	4	20.52	19.90	19.29
8901337	KG64BT214/04E	63A	4	24.58	23.84	23.11
8901364	KG80T214/04E	80A	4	37.53	36.40	35.28
8901157	KG100T214/04E	100A	4	47.26	45.84	44.42
8901190	KG126T204GBA006E	125A	4 + AUX	109.50	106.22	102.93
8901205	KG161T204GBA006E	160A	4 + AUX	135.12	131.07	127.01

## 3 Pole Isolators DIN or Base Mounting



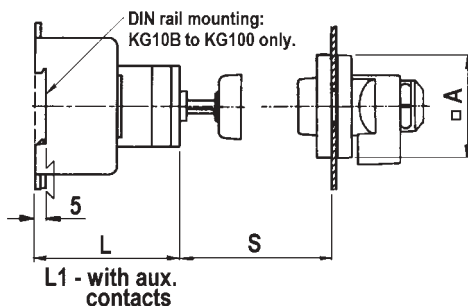
A range of high quality 3 pole DIN rail or base mounted switch disconnectors, padlockable in the 'OFF' position. 2 N/O (early break) and 2 N/C auxiliary contacts are incorporated in all switches above 100 Amp. All switches are 4 hole mounting and are interlocked to prevent door opening whilst the switch is 'ON'. All switches are protected to IP65. Fingerproof terminals on the 20 - 63 Amp although live terminal shrouds are also available.

Rated Current (A)	20	25	32	40	63	80	100	125	160	250	315
No. of poles	3	3	3	3	3	3	3	3	3	3	3
Auxiliary switches (2NO+2NC)	NO	NO	NO	NO	NO	NO	NO	YES	YES	YES	YES
Rated insulation voltage (V)	690	690	690	690	690	690	690	1000	1000	1000	1000
Motor rating, AC23A (kW)	5.5	7.5	11	15	22	30	37	45	55	90	110
Max. cable size (sq. mm)	2.5	6	6	16	16	35	35	95	95	185	185
Conforms to	IEC 60 947, IEC 60 204, BS EN 60 947, BS EN 60 204										
Dimensions (mm)											
A	64	64	64	64	64	64	64	88	88	88	88
B	48	48	48	48	48	48	48	68	68	68	68
D1	22	22	22	22	22	22	22	27	27	27	27
D2	5	5	5	5	5	5	5	6	6	6	6
L	56.2	50	50	61	61	68	68	91	91	98	98
L1	65.7	59	59	71	71	78	78	91	91	98	98
S	35-118	32-125	32-125	35-132	35-132	35-130	35-130	50-309	50-309	50-309	50-309
Length	48	42	42	50	50	70	70	112	112	145	145
Width	50	54	54	64	64	80	80	190	190	219	219

**Note:** Width dimension includes terminal cover for the 125A to 315A switches. For the 80A and 100A, add 26mm on the side that the cover is fitted.

Base mounting switches are available with alternative operating shafts, either longer than the types shown in this catalogue or with fixed shaft lengths to suit customer applications. Please contact sales.

Fully rated side mounted neutral terminal blocks, side mounted auxiliary contacts and side mounted earth terminals are available. Please refer to relevant sections.



Stock No.	Manf Ref'	Current	No. Poles	Unit Price		
				1-4	5-9	10-24
8901172	KG10BT213/65VE	20A	3	15.76	15.29	14.81
8901226	KG20BT213/65VE	25A	3	18.79	18.23	17.66
8901280	KG32BT213/65VE	32A	3	21.00	20.37	19.74
8901307	KG41BT213/65VE	40A	3	24.02	23.30	22.58
8901334	KG64BT213/65VE	63A	3	27.51	26.68	25.86
8901361	KG80T213/65VE	80A	3	40.91	39.68	38.46
8901154	KG100T213/65VE	100A	3	48.31	46.86	45.41
8901181	KG126T203GBA003VE	125A	3 + AUX	94.79	91.95	89.10
8901196	KG161T203GBA003VE	160A	3 + AUX	113.89	110.47	107.06
8901241	KG251T203GBA003VE	250A	3 + AUX	150.20	145.69	141.19
8901253	KG316T203GBA003VE	315A	3 + AUX	182.71	177.23	171.75