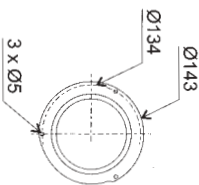
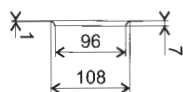


Inlet Rings for Backward Curve Fans



Dimensions for the P16043

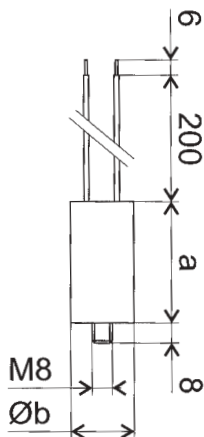
Inlet rings designed for use with backward curved fans to provide higher efficiency and quieter running.

P16043 use with the Ø195 BC fan
 P16133 use with the Ø220, Ø225 BC fans
 P16114 use with the Ø250 BC fan

Material Galvanised steel

Stock No.	Manf Ref'	Type	Unit Price		
			1-9	10-24	25+
7801172	P16043	INLET RING	3.50	3.33	3.22
7801175	P16133	INLET RING	4.50	4.28	4.14
7801178	P16114	INLET RING	8.50	8.08	7.82

Motor Run Capacitors

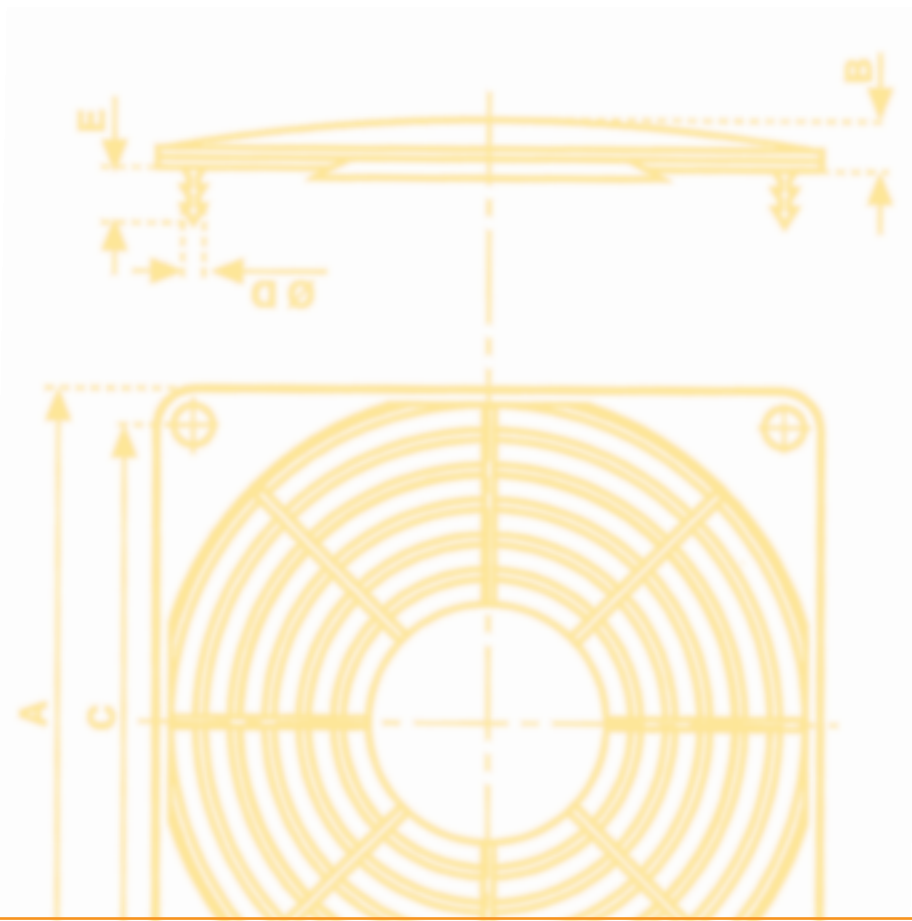


Motor start/run capacitors with lead wires, ABS case and M8 threaded stud for ease of mounting.

Max. voltage 400V
 Temperature -25°C to +85°C

Type	2µF	2.5µF	3µF	4µF	6µF	8µF
Length a (mm)	50	50	50	50	70	70
Diameter Øb (mm)	20	25	25	30	30	30

Stock No.	Manf Ref'	Type	Unit Price		
			1-9	10-24	25+
7801181	200PSC	2µF CAPACITOR	3.22	3.06	2.96
7801193	250PSC	2.5µF CAPACITOR	3.33	3.16	3.06
7801187	300PSC	3µF CAPACITOR	3.43	3.26	3.16
7801184	400PSC	4µF CAPACITOR	3.85	3.66	3.54
7801190	600PSC	6µF CAPACITOR	4.65	4.42	4.28
7801196	800PSC	8µF CAPACITOR	5.83	5.54	5.36



<11