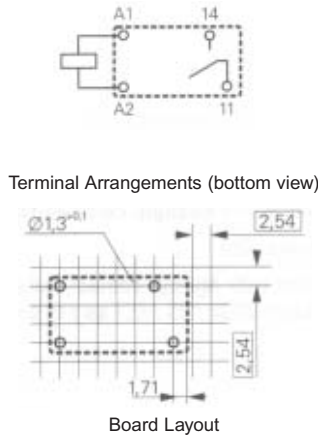


**OJ Series  
8A, SPNO**

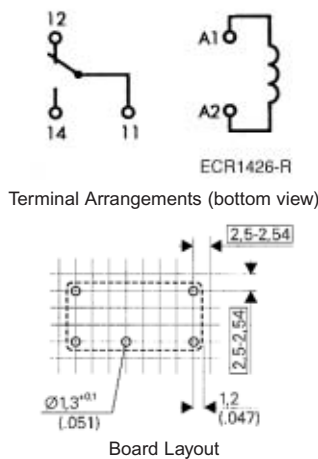


A miniature PCB relay with a sensitive 200mw coil capable of switching 8A. Fluxtight sealed.

- Contact arrangement: Single pole normally open
- Contact material: Silver tin oxide
- Continuous current: 8A at 230V ac
- Contact load min.:
- Operate / release time: 15ms / 4ms
- Nominal coil power: 200 mW
- Coil resistance.ohm: 125 (5V), 720 (12V), 2880 (24V)
- Mechanical life: 5 Million
- Dielectric strength: 4000V rms
- Temperature: -30°C to + 85°C
- Approvals: VDE, UL, CSA
- L = 18.2, W = 10.2, H = 14.7

Stock No.	Manf Ref'	Type	Unit Price		
			1-24	25-99	100+
4954615	OJ-SH-105LMH2	SPNO-5VDC	1.30	1.17	1.11
4954617	OJ-SH-112LMH2	SPNO-5VDC	1.30	1.17	1.11
4954619	OJ-SH-124LMH2	SPNO-24VDC	1.30	1.17	1.11

**PE Series  
5A, SPCO**

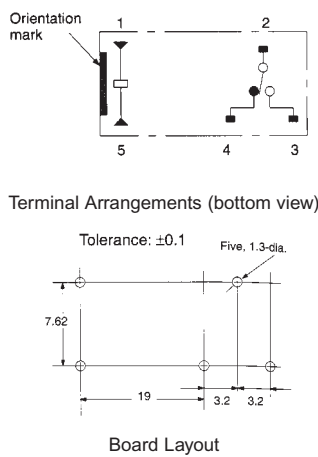
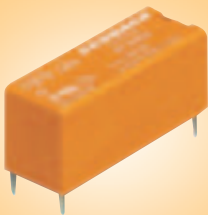


A miniature PCB relay with sensitive 200mW coil capable of switching 5A. Fluxtight sealed. Latching versions available.

- Contact arrangement: Single pole changeover
- Contact material: Silver nickel
- Continuous current: 5A at 230 / 400V ac
- Contact load min.:
- Operate / release time: 5ms / 2ms
- Nominal coil power: 200 mW
- Coil resistance.ohm: 125 (5V), 685 (12V), 2725 (24V)
- Mechanical life: 15 Million
- Dielectric strength: 4000V rms
- Temperature: -40°C to + 85°C
- Approvals: VDE, UL, CSA
- L = 20, W = 10, H = 10

Stock No.	Manf Ref'	Type	Unit Price		
			1-24	25-99	100+
4954620	PEO14005	SPCO-5VDC	1.35	1.22	1.15
4954622	PEO14012	SPCO-12VDC	1.35	1.22	1.15
4954624	PEO14024	SPCO-24VDC	1.35	1.22	1.15

**RY II Series  
8A, SPCO**

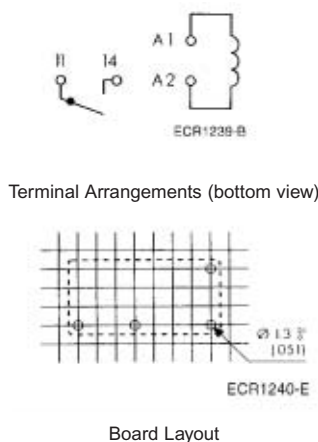


A miniature PCB relay with sensitive 200mW coil capable of switching 8A. Washtight sealed. Gold plated versions and PCB sockets available.

- Contact arrangement: Single pole changeover
- Contact material: Choice of 3, silver, nickel, standard
- Continuous current: 8A at 400V ac
- Contact load min.:
- Operate / release time: 7ms / 3ms
- Nominal coil power: 220 mW
- Coil resistance.ohm: 112 (5V), 627 (12V), 2350 (24V)
- Mechanical life:
- Dielectric strength: 5000V rms
- Temperature: -40°C to + 70°C
- Approvals: VDE, UL
- L = 28.5, W = 10.1, H = 12.3

Stock No.	Manf Ref'	Type	Unit Price		
			1-24	25-99	100+
4952950	RY610005	SPCO-5VDC	1.80	1.62	1.53
4952952	RY610012	SPCO-12VDC	1.80	1.62	1.53
4952954	RY610024	SPCO-24VDC	1.80	1.62	1.53

**RE Series  
6A, SP N/O**



A miniature PCB relay with sensitive 200mW coil capable of switching 6A. Washtight sealed. Gold plated versions available.

- Contact arrangement: Single pole normally open
- Contact material: Silver cadmium oxide, Silver nickel
- Continuous current: 6A at 230 / 400V ac
- Contact load min.:
- Operate / release time: 5ms / 1ms
- Nominal coil power: 200 mW
- Coil resistance.ohm: 125 (5V), 720 (12V), 2880 (24V)
- Mechanical life: 30 Million
- Dielectric strength: 4000V rms
- Temperature: -30°C to + 70°C
- Approvals: VDE, UL, CSA
- L = 20, W = 10, H = 10.6

Stock No.	Manf Ref'	Type	Unit Price		
			1-24	25-99	100+
4954567	REO30005	SPNO-5VDC	1.35	1.22	1.15
4954568	REO30012	SPNO-12VDC	1.35	1.22	1.15
4954569	REO30024	SPNO-24VDC	1.35	1.22	1.15