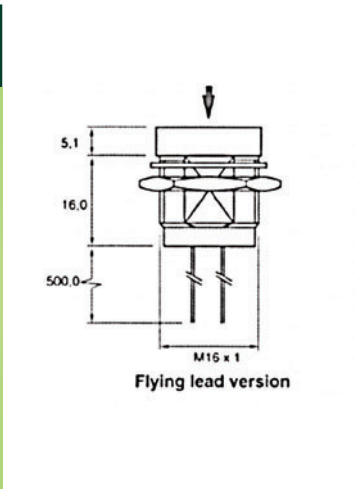




ActiveMetal is a new resonant mode acoustic technology from ITW switches that allows a rugged pushbutton switch to be constructed with no moving parts. Unlike other technologies these products are manufactured from solid metal making them very rugged and allowing a waterproof rating to IP68, limited only by the panel seal. These switches provide reliable sensing of a gloved hand and may be factory programmed to provide higher or lower sensitivity if required. The switches are available in stainless steel, a lower cost zinc alloy or aluminium. The switching options are momentary or alternate action, with either a logic level output (digital) or open collector transistor. These switches are ideal for high security or vandal proof applications needing long life. An attractive halo kit is also available to provide ring illumination around the bezel in either red, blue, green or yellow in 5V, 12V or 24Vdc.

Operating voltage	5Vdc, or 10 to 24Vdc
Output current max	20mA digital, 100mA sinking
IP Rating	IP68
Temperature	-40°C to +85°C
Connection	Flying leads 12" 24AWG
Housing	Diecast Zinc, Stainless Steel, Aluminium
Dimensions	Bezel 39.0mm, depth 15.8, cutout 30mm with flat

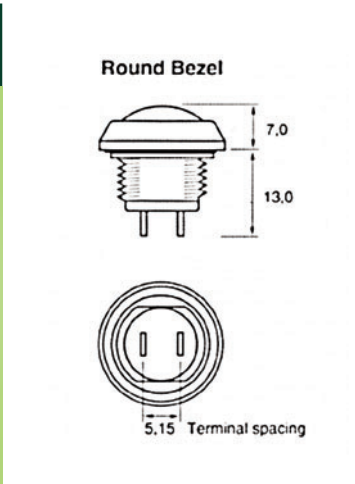
Stock No.	Manf Ref'	Housing	Finish	Output Type	Action	Supply	Unit Price		
							1-9	10-24	25+
9351070	T01-043002-006-NO-M-2	DIECAST ZINC ALLOY 30MM	BRIGHT CHROME	NORMALLY OPEN, OPEN COLLECTOR	MOMENTARY	5VDC	20.42	19.40	18.38
9351071	T01-043003-006-NC-M-2	DIECAST ZINC ALLOY 30MM	BRIGHT CHROME	NORMALLY CLOSED, OPEN COLLECTOR	MOMENTARY	10-24VDC	20.42	19.40	18.38
9351074	T01-013002-001-NO-M-2	STAINLESS STEEL 30MM	STAINLESS STEEL	NORMALLY OPEN, OPEN COLLECTOR	MOMENTARY	5VDC	37.74	36.80	35.85
9351076	T01-013003-001-NC-M-2	STAINLESS STEEL 30MM	STAINLESS STEEL	NORMALLY CLOSED, OPEN COLLECTOR	MOMENTARY	10-24VDC	39.34	38.36	37.37
9351083	TBA	HALO KIT 30MM 5VDC BLUE					5.82	5.53	5.24



The ITW switches 49-59 series is a range of fully sealed momentary pushbuttons that will fit a 16mm cutout with d flats to prevent rotation. Available with optional led illumination as well as a higher current microswitch based version that will switch 10A.

Current rating	100mA at 50Vdc, 400mA at 32Vac, 125mA at 125Vac
Contact arrangement	1 N/O, gold plated palladium
IP Rating	IP67
Temperature	-55°C to +105°C, non illum
Connection	Flying leads 500mm 24AWG
Housing	Plastic
Dimensions	Bezel 19.8mm, depth 26.0, cutout 16.0mm
Panel thickness	Up to 8mm

Stock No.	Manf Ref'	Type	Unit Price		
			1-4	5-9	10-24
9351032	49-59111	ROUND BLACK	4.22	4.01	3.80
9351034	49-59112	ROUND RED	4.24	4.03	3.82



The ITW switches 59 series is a range of rugged miniature fully sealed momentary pushbuttons that will fit a 13.6mm cutout with d flats to prevent rotation. The housing is made from diecast zinc, with the button being plastic. Available with optional led illumination as well as a lower cost plastic housed version with the same dimensions.

Current rating	100mA at 50Vdc, 400mA at 32Vac, 125mA at 125Vac
Contact arrangement	1 N/O, gold plated palladium
IP Rating	IP67
Temperature	-35°C to +85°C
Connection	Solder terminals
Housing/actuator	Zinc alloy, plastic
Dimensions	Bezel 17.45mm, depth 13.0mm, cutout 13.6mm
Panel thickness	1.5mm to 3mm

Stock No.	Manf Ref'	Type	Unit Price		
			1-4	5-9	10-24
9351036	59-111	ROUND BLACK	3.11	2.95	2.80
9351037	59-112	ROUND RED	3.11	2.95	2.80
9351038	59-113	ROUND GREEN	3.11	2.95	2.80
9351039	59-115	ROUND YELLOW	3.11	2.95	2.80