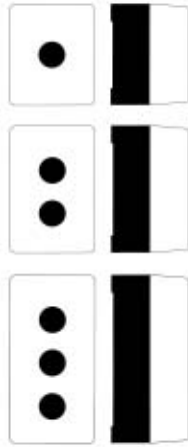




Plastic Enclosures



A range of plastic control station enclosures are available that accept one, two, three or four operators. All enclosures are white.

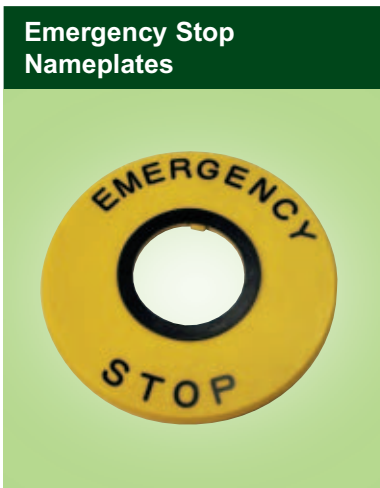
Stock No.	Manf Ref'	Type	Unit Price		
			1-4	5-9	10-24
5501124	HW1XBOXWG	1 GANG	6.56	6.36	6.17
5501127	HW1XBOX2	2 GANG	7.47	7.25	7.02
5501130	HW1XBOX3	3 GANG	9.29	9.01	8.73
5501131	HW1XBOX4	4 GANG	12.02	11.66	11.30



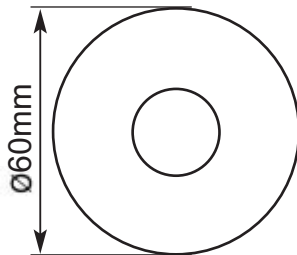
Emergency Stop Shroud  
Ø22 mm

Emergency stop shroud to enhance the visibility of the switch by providing a yellow background. It also prevents accidental activation. The shroud meets the 'SEMI' standard for semi-conductor machinery and also maintains IP65 protection.

Stock No.	Manf Ref'	Type	Unit Price		
			1-4	5-9	10-24
5501133	HW9ZKG1TK2120	SHROUD	14.89	14.44	14.00



Emergency Stop Nameplates



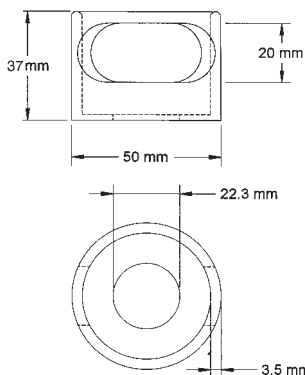
Emergency stop nameplates, one standard and one jumbo, which will enhance the visibility of the switch by providing a yellow background. Yellow plastic engraved with 'EMERGENCY STOP' in black letters. Suitable for switches with Ø22mm or Ø16mm hole mounting.

Outside diameters 60mm (standard), 80mm (jumbo), 43.5mm (standard 16mm)

Stock No.	Manf Ref'	Type	Unit Price		
			1-4	5-9	10-24
5501118	HWAV27	STANDARD FOR 22MM	2.10	2.04	1.97
5501121	HWAV527	JUMBO FOR 22MM	2.31	2.24	2.17
5501122	HA AV27	STANDARD FOR 16MM	2.10	2.04	1.97



E Stop Shroud



An attractively styled anodised aluminium bezel designed to prevent accidental operation or damage to twist to reset emergency stop buttons. Will accept most makes of Ø22mm buttons, with head sizes of 40mm.

Material anodised aluminium

Stock No.	Manf Ref'	Type	Unit Price		
			1-4	5-9	10-24
9471012	PEN290081	E STOP SHROUD	12.50	11.88	11.25