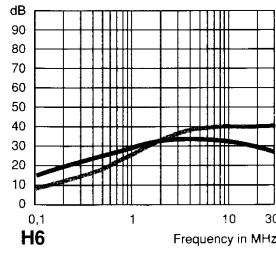


**PE Series Chameleon  
Screw in Panel Mount  
Switch, Fuse, No Selector**



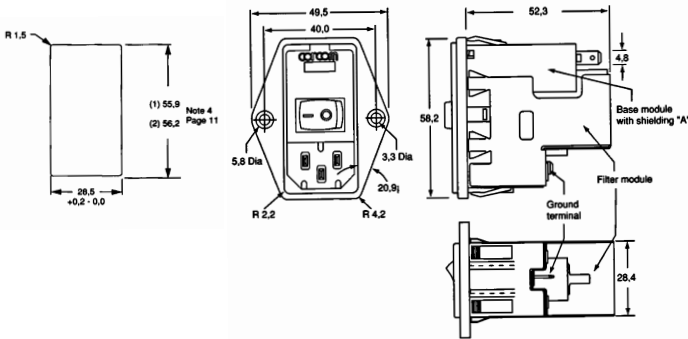
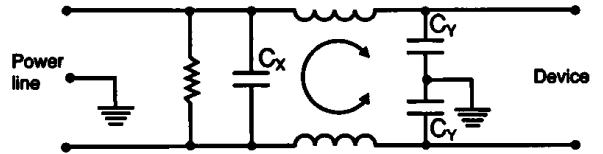
**Attenuation Graph for  
PE Series**



Single phase IEC power inlet filter with DPDT switch and a single fuse. General purpose attenuation characteristics, medical and high performance available. Shielded case.

Rated voltage 120/250 VAC  
Leakage current 0.25mA at 120 VAC, 0.5mA at 250 VAC  
Terminals 4.8mm push-ons  
Panel thickness 0.76mm - 2.29mm  
Approvals UL, CSA  
Dimensions D = 54.1, H = 58.67, W = 50.29

**PE Series Circuit Schematic**

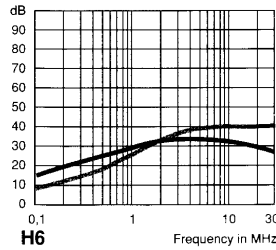


Stock No.	Manf Ref <sup>1</sup>	Current	Case style	Unit Price		
				1-9	10-24	25-49
5051164	PE0S-0SS-3B	3A	Horizontal	21.95	19.76	18.66
5051167	PE0S-0SS-6B	6A	Horizontal	21.95	19.76	18.66
5051170	PE0S-0SS-XB	10A	Horizontal	21.95	19.76	18.66

**PS Series Chameleon  
Snap-in Panel Mount  
Switch and Dual Voltage  
Select**



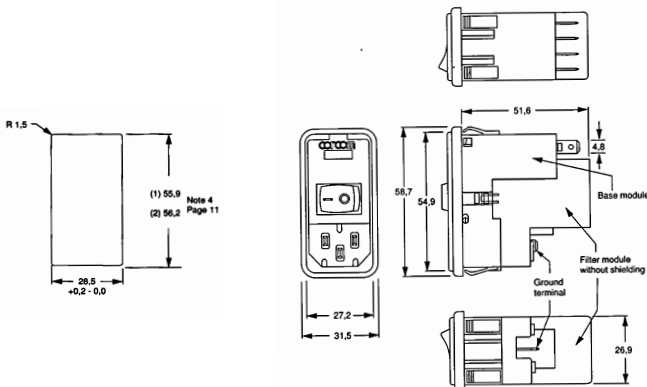
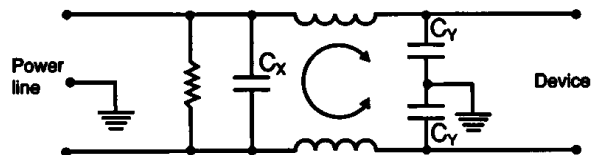
**Attenuation Graph for  
PS Series**



Single phase IEC power inlet filter with DPDT switch and dual fuse. Dual voltage select combined with fuse holder for series/parallel transformer primary selection. General purpose attenuation characteristics, medical and high performance available. Shielded case.

Rated voltage 120/250 VAC  
Leakage current 0.25mA at 120 VAC, 0.5mA at 250 VAC  
Terminals 4.8mm push-ons  
Panel thickness 0.76mm - 2.29mm  
Approvals UL, CSA  
Dimensions D = 54.1, H = 58.67, W = 31.49

**PS Series Circuit Schematic**



Stock No.	Manf Ref <sup>1</sup>	Current	Case style	Unit Price		
				1-9	10-24	25-49
5051155	PS0S-XDS-3A	3A	Snap-in	20.33	18.30	17.28
5051158	PS0S-XDS-6A	6A	Snap-in	20.33	18.30	17.28
5051161	PS0S-XDS-XA	10A	Snap-in	20.33	18.30	17.28