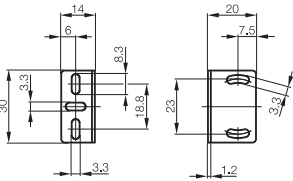
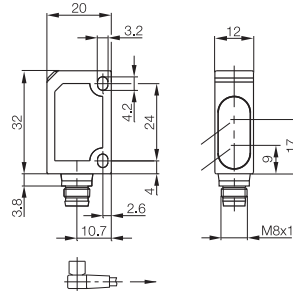


**Small sensors with teach-in  
Glass detection**

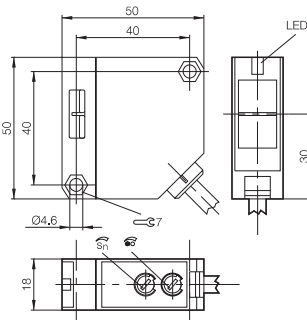


A range of small DC sensors, in the diffuse, reflex and through beam models, in an ergonomic ABS impact resistant housing. The high optical performance and size of these sensors makes them ideal for tight spaces. Automatic calibration function (teach-in) using control lines, means the sensor can be installed in virtually inaccessible locations. Dynamic teach-in also means it is possible to calibrate the sensor without stopping the machine. Highly visible red light on all styles aids alignment/set-up and the diffuse 2.5..100mm version offers background suppression. All reflex versions have polarising filters and the 0.5m reflex model is ideal for glass or clear object detection. With multi-function display, visible from any direction, it makes these sensors very user friendly. Laser versions of the above sensor are also available, please consult sales.

Nominal sensing range	25...100mm, 5...300mm Diffuse 0.5m and 2.5m Reflex, 6m Through beam
Supply voltage	10-30 volt DC
Rated output current	100 mA
Temperature	-20 to + 60 °C
Frequency	1000 Hz
Sensitivity adjustment	Teach-in
Built in LED's	Yes (yellow/function, green/contamination)
IP Rating	IP67
Connection type,	M8 connector, 4 wire type
Diffuse, Reflex	(brown/+ve, black/NO output,
& through beam	white/teach-in/+ve, blue/-ve)
Connection type,	M8 connector, 2 wire type
Through beam emitter	(brown/+ve, blue/-ve)
Light spot diameter:	
Diffuse 25...100mm	<5 x 5mm over entire sensing range
Diffuse 5...300mm	<12 x 12mm over entire sensing range
Reflex 0.5m	20 x 20mm at 0.5m sensing
Reflex 2.5m	75 x 75mm at 2m sensing
Reflex sensors must be used with suitable reflectors.	
For mounting brackets, please order separately.	

Stock No.	Manufactures Ref'	Type	Output Type	Range	Unit Price
					1-4
2668460	BOS6K-PU-1HA-S75C	DIFFUSE (BACKGROUND SUPP)	PNP NO/NC	25...100MM	94.06
2668463	BOS6K-PU-1OC-S75C	DIFFUSE (ENERGETIC)	PNP NO/NC	5...300MM	68.94
2668466	BOS6K-PU-1QA-S75C	REFLEX (Polarising FILTER-GLASS DETECTION)	PNP NO/NC	500MM	91.53
2668469	BOS6K-PU-1QC-S75C	REFLEX (Polarising FILTER)	PNP NO/NC	2500MM	73.06
2668454	BOS6K-NU-1QC-S75C	REFLEX (Polarising FILTER)	NPN NO/NC	2500MM	73.06
2668642	BOS6-HW1	MOUNTING BRACKET			3.30

**Relay Output 3A, AC/DC  
900mm Diffuse, 4m Reflex**

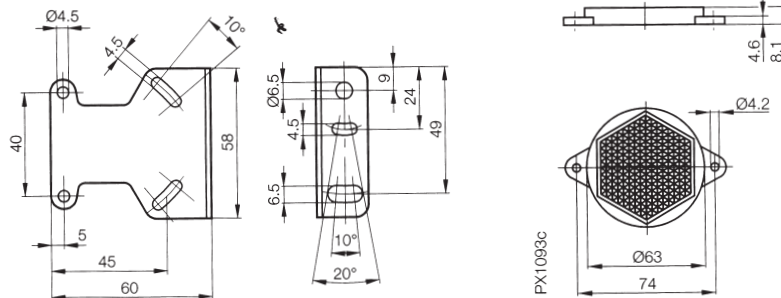


Two universal AC/DC sensors, in the diffuse & reflex models with a 3 amp, one pole, changeover relay output. These handy, compact sensors, housed in impact resistant plastic feature potentiometer sensitivity adjustment, and are light on/dark on selectable. The reflex models have Polarising filters, for reliable detection of clear & shiny objects and a visible sensing beam (red dot) to aid alignment/set-up. These sensors are also short circuit protected.

Nominal sensing range	900mm Diffuse, 4m Reflex
Supply voltage	15-264 volt AC/DC
Temperature	-15 to + 55 °C
Frequency	2 Hz
Sensitivity adjustment	Potentiometer 0...270°
Built in LED's	Yes (red/function)
IP Rating	IP65
Body material	Impact resistant plastic
Connection type,	Pre-wired, 5 core (0.25mm)PVC cable, 2M (black/live, blue/neutral, white/common red/NC contact, brown/NO contact)

Reflex sensors are supplied with a 63mm diameter reflector. Spares can be supplied upon request, please enquire. Mounting brackets are supplied with both models.

**Mounting Bracket and reflector BOS R-10  
(supplied)**



Stock No.	Manufactures Ref'	Sensor Type	Output Type	Range	Unit Price
					1-4
2668394	BOS25K-1-C90-02	DIFFUSE	RELAY 3A, 250 VAC/24 VDC	900MM	131.12
2668391	BOS25K-1-B5-02	REFLEX	RELAY 3A, 250 VAC/24 VDC	4M	131.12
2668475	BOSR10	REFLECTOR			3.38