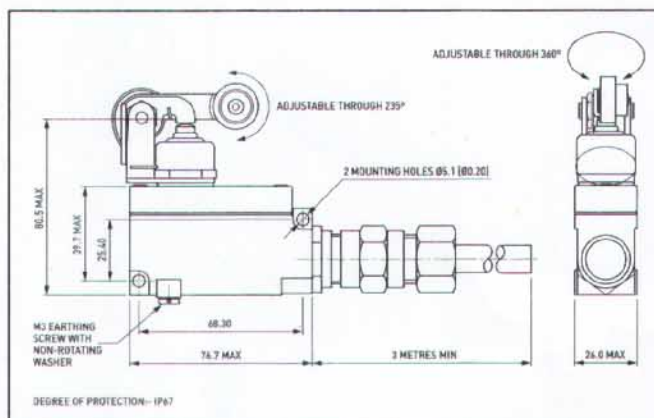


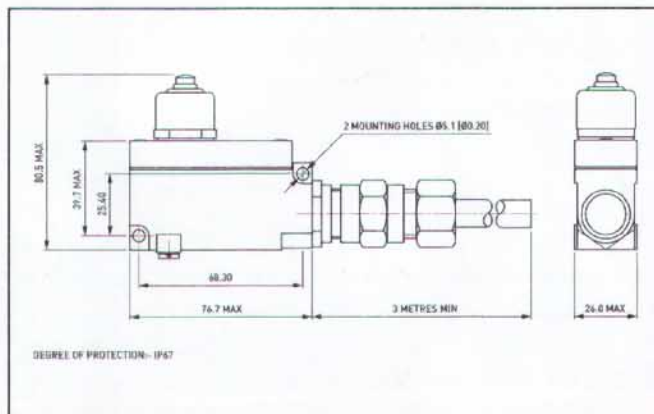
ATEX compliant microswitches

A new range of explosion proof switches certified for use in Category 2 applications

Hawk



Full technical details available on request.



- Sealed construction IP67
- Pin plunger or adjustable roller lever versions
- Stainless steel housing
- Through hole mounting
- Complete with 3-metres of factory fitted cable or flying leads (for conduit use)
- Electrical rating: recommended maximum 5A 250VAC



Approval: ATEX cert. no. Baseefa 03ATEX0437
Approval category: EEx de IIC T 6

Order References

Cable versions

Roller lever: E19V3CQMSA (ATEX)

Plunger: E19V3CQMS (ATEX)

Flying lead versions

Roller lever: E19V3CQMSAX (ATEX)

Plunger: E19V3CQMSX (ATEX)

Saia-Burgess Gateshead Limited

Dukesway, Team Valley Trading Estate, Gateshead, Tyne & Wear NE11 0UB

Tel: +44 (0) 191 401 6100 Fax: +44 (0) 191 401 6324 www.saia-burgess.com

E-mail: uk.sales@saia-burgess.com