

Pennine Components Ltd

Distributors & Stockists of Electrical Components for Industry

PO Box 1, 65/67 Halifax Road, Todmorden, Lancs, OL14 5BB

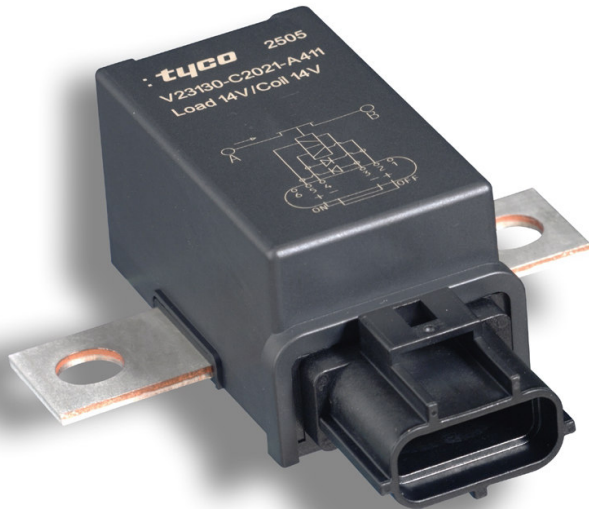
Tel: 01706 815737 Fax: 01706 817628

E-Mail: sales@penninecomponents.co.uk

Web: www.penninecomponents.co.uk

AUTOMOTIVE

Tyco Battery Disconnect Switch BDS-A



Features

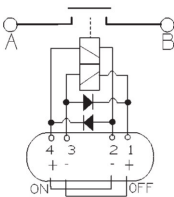
- ◆ Electrically settable and re-settable ON/OFF Bistable Device
- ◆ Continuous current of 190A at 85°C
- ◆ Current switching ability up to 1500A
- ◆ Optimised Dimensions:
L x H x W = 60 x 33 x 37 mm
- ◆ Operation range for -40 to +120°C
- ◆ Minimal weight 210g

Applications

- ◆ Battery Disconnection
- ◆ Dual battery applications
- ◆ High current applications
Diesel pre-heat
Large electro-hydraulic pumps
- ◆ Seasonal, service and transport deactivation
- ◆ Energy management

Pin Assignment

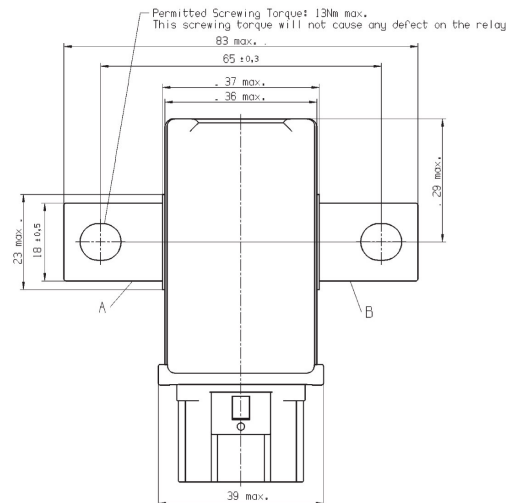
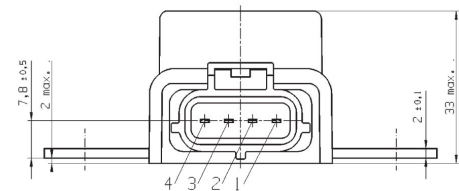
1 Form X



Terminal	Function
4	Set Coil (+)
3	Reset Coil (-)
2	Set Coil (+)
1	Reset Coil (-)
A	Load Terminal
B	Load Terminal

Set = A and B get connected

130C_PA_3



Stock Code	Part Number	Unit Price 1-9
4954743	V23130-C2021-A411	£35.00

Visit our website at www.penninecomponents.co.uk