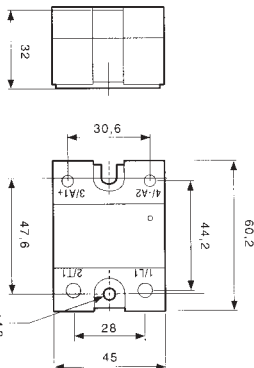


**GN Series Single Phase AC With IP20 Protection**



A range of solid state relays capable of switching between 25A to 125A with either triac or SCR outputs providing two output voltage ranges of either 24-280VAC or 48-660VAC. These models have built-in transient protection and are available with or without IP20 finger protection terminals. Direct copper bonded technology for thermal performance and a die-cast baseplate ensures an even surface for maximum heat conduction. LED for control display.

Input Specifications	4-32VDC	90-280VAC/DC
Drop-out voltage	1V	10V
Max. current	14mA	8.5mA
Output Specifications	24-280VAC	48-660VAC
Switching type	Zero crossing	Zero crossing
Peak voltage	600	1200
Minimum current	100mA	100mA
Max. off-state leakage	4.25mA	4.75mA
Voltage drop at I <sub>max</sub> .	1.4V max (all current ratings)	
Static dV / dt (V/μs)	500 (all current ratings)	
Thermal resistance °C/W	0.4 (25A), 0.25 (50A), 0.15 (75,100,125A)	
Temperature	-20°C to + 80°C	
Input/output insulation	4kV	
Input/output capacitance	8pF	
Approvals	UL	

**GN Series Single Phase AC Exposed Terminals**



**Note:**  
The GN series solid state relays for random/instantaneous switching are available in all input/output voltages and current ratings, with or without IP20 finger protection. Please consult sales.

Input specifications for DC output model (FET transistor)			
Voltage Range	3-32VDC		
Turn-off voltage	1VDC		
Max. current	20mA		
Turn-on / turn-off time	2μs / 50μs		
Output Specifications	FET10A	FET15A	FET30A
Voltage Range	1-200	1-100	1-50
Rated current	10	15	30
Minimum current	1A	1A	1A
Max non-rep surge for 10μs	60A	120A	160A
Thermal resistance °C/W	2.25	2.25	2.45
Temperature	-20°C to + 80°C		
Input/output insulation	4kV		
I/O to case insulation	2.5kV		
Input/output capacitance	8pF		
Approvals	UL		

Stock No.	Manf Ref'	Input	Output	Current	Unit Price		
					1-4	5-9	10-24
<b>Zero voltage switching with IP20 Protected terminals</b>							
3261605	84 137 010	4-32VDC	24-280VAC	25A	16.91	16.06	15.22
3261608	84 137 011	90-280VAC/DC	24-280VAC	25A	16.73	15.89	15.06
3261626	84 137 110	4-32VDC	48-660VAC	25A	24.15	22.94	21.74
3261629	84 137 120	4-32VDC	48-660VAC	50A	27.78	26.39	25.00
3261635	84 137 130	4-32VDC	48-660VAC	75A	38.65	36.72	34.79
3261638	84 137 140	4-32VDC	48-660VAC	100A	44.70	42.47	40.23
3261641	84 137 180	4-32VDC	48-660VAC	125A	55.56	52.78	50.00
3266248	84 137 111	90-280VAC/DC	48-660VAC	25A	26.05	24.75	23.45
3261632	84 137 121	90-280VAC/DC	48-660VAC	50A	28.99	27.54	26.09
3261633	84 137 131	90-280VAC/DC	48-660VAC	75A	39.86	37.87	35.87
3266379	84 137 141	90-280VAC/DC	48-660VAC	100A	45.90	43.61	41.31
3266381	84 137 181	90-280VAC/DC	48-660VAC	125A	56.77	53.93	51.09
<b>Zero voltage switching without IP20 Protected terminals</b>							
3266274	84 134 010	4-32VDC	24-280VAC	25A	16.91	16.06	15.22
3266277	84 134 011	90-280VAC/DC	24-280VAC	25A	16.73	15.89	15.06
3261590	84 134 110	4-32VDC	48-660VAC	25A	24.15	22.94	21.74
3261596	84 134 120	4-32VDC	48-660VAC	50A	27.78	26.39	25.00
3261593	84 134 111	90-280VAC/DC	48-660VAC	25A	26.57	25.24	23.91
3261599	84 134 121	90-280VAC/DC	48-660VAC	50A	28.99	27.54	26.09
<b>Random switching with IP20 Protected terminals</b>							
3266280	84 137 310	4-32VDC	48-660VAC	25A	24.15	22.94	21.74
3266283	84 137 320	4-32VDC	48-660VAC	50A	27.78	26.39	25.00
<b>DC output without IP20 Protected terminals</b>							
3266286	84 134 850	3-32VDC	1-200VDC	10A	33.05	31.40	29.75
3266289	84 134 860	3-32VDC	1-100VDC	15A	26.92	25.57	24.23
3266292	84 134 870	3-32VDC	1-50VDC	30A	21.48	20.41	19.33



**GNR Series 90mm  
Three Phase AC**

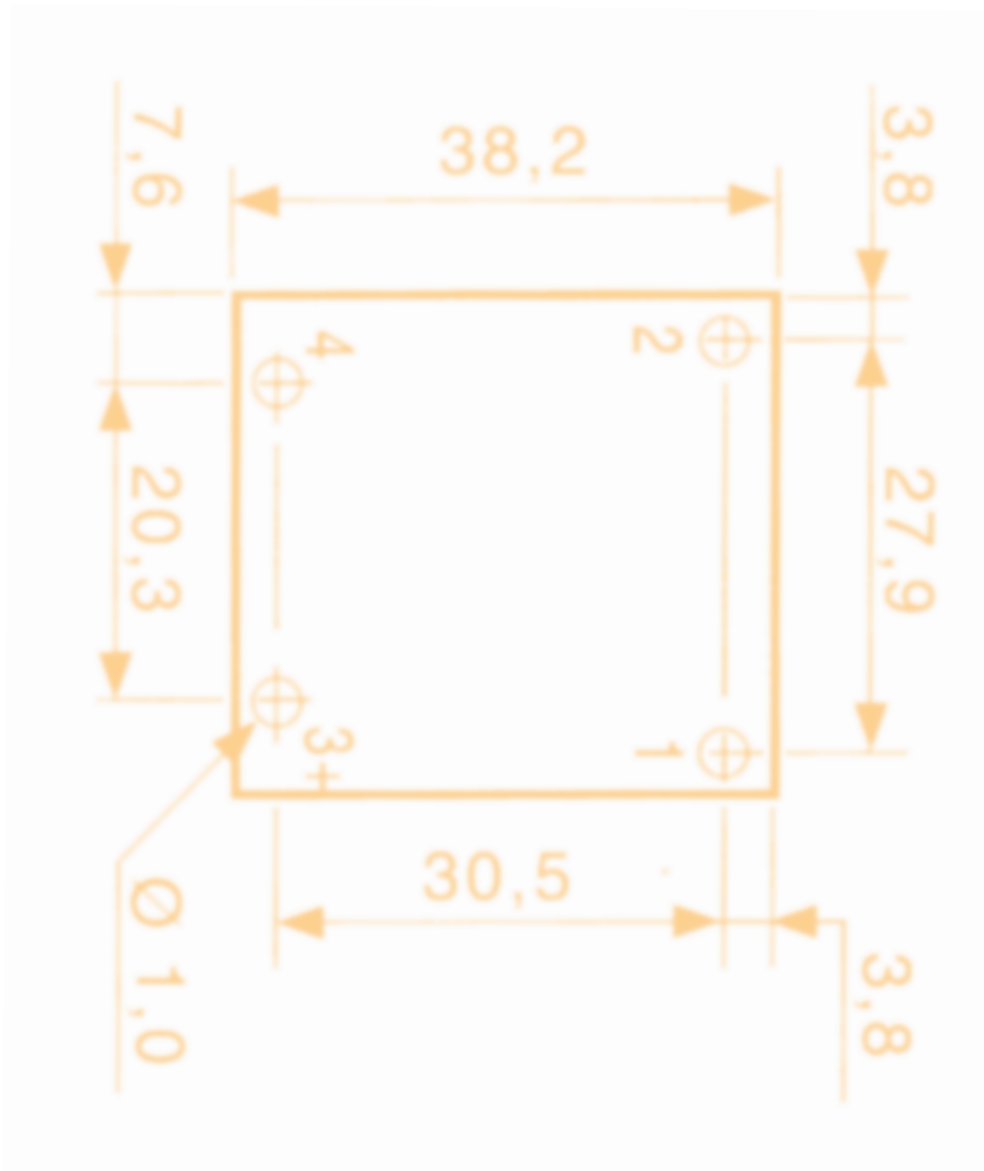


A range of three phase DIN rail mounting solid state relays capable of switching 35A or 45A resistive AC51 featuring direct copper bonding technology for enhanced reliability. This range features integrated heatsink and integrated transient protection. Also available with random switching and alternative termination.

<b>Input Specifications</b>	<b>4-32VDC</b>	<b>180-280VAC</b>
Drop-out voltage	1V	10V ac
Max. current draw	20mA	8mA

<b>Output Specifications</b>	Zero crossing or random
Switching type	1100V
Peak voltage	100mA
Minimum current	120 $\mu$ A
Max. off-state leakage	1.35V
Voltage drop at I max.	500 V / $\mu$ s
Static dV / dT off max.	2HP 35A, 3HP 20A
Horse power ratings 230Va	-20°C to + 80°C
Temperature	4200V ac
Input/output isolation	UL, CSA, TUV
Approvals	

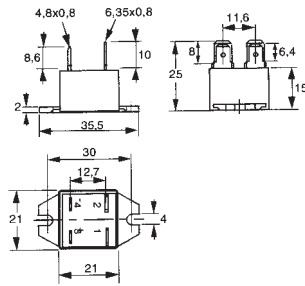
Stock No.	Manf Ref <sup>1</sup>	Input	Output	Current	Unit Price		
					1-4	5-9	10-24
<b>Zero voltage switching</b>							
3261581	GNR-25DCZ	4-32VDC	48-600VAC	3 x 25A	110.00	104.50	99.00
3261582	GNR-25ACZ	180-280VAC	48-600VAC	3 x 25A	132.00	125.40	118.80
<b>Random switching</b>							
3261583	GNR-25DCR	4-32VDC	48-600VAC	3 x 25A	121.00	114.95	108.90







**SF Series  
Power Relays**

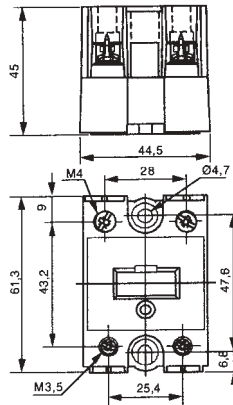


Miniature flange mounted solid state relay with push-on terminals suitable for medium power applications.

<b>Input Specifications</b>	<b>4-30VDC</b>
Drop-out voltage	1V
Max. current	30mA
<b>Output Specifications</b>	<b>12-280VAC</b>
Switching type	Zero crossing
Peak voltage	600V
Minimum current	5mA
Max. off-state leakage	< 3mA
Voltage drop at I nom.	1.3V
Static dV / dt (V/μs)	500
Temperature	-40°C to + 100°C
Input/output insulation	2kV
Conformity	EN60947-4-x

Stock No.	Manf Ref <sup>1</sup>	Output	Current	Unit Price		
				1-4	5-9	10-24
9771004	SF541310	12-280VAC	10A	16.50	15.34	14.52

**SV8 Series, Synchronous  
Single Phase Relay**

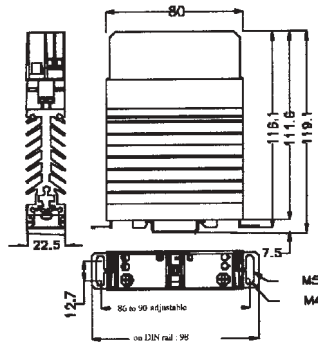


Synchronous single phase surface mounted SSR with IP20 screw clamp terminals. High immunity to external noise. Very low leakage current in the OFF state. Overvoltage protection. Indication LED and identification tag.

Control voltage	10-30VDC
Input resistance	1250 ohm
Switching type	Zero crossing
Switching output	1 N/O
Switching voltage	24-500VAC
Peak voltage	1200V
Switching current	45A
Protection	RC-VDR
LED input indication	Green
 Dimensions	 61.3mm x 44.6mm x 45mm

Stock No.	Manf Ref <sup>1</sup>	Output	Current	Unit Price		
				1-4	5-9	10-24
9771022	SV864394	24-500VAC	45A	20.75	19.30	18.26

**SIL Series  
Solid State Contactors**

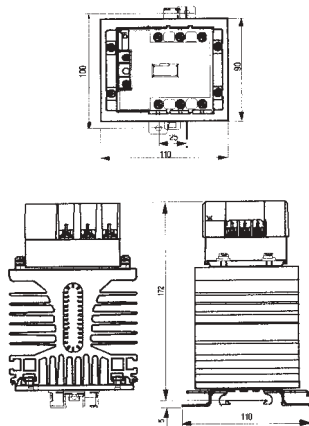


Single phase industry standard 22.5mm solid state contactors with heatsink for DIN rail or surface mounting. Very high immunity to external noise. Very low leakage current (< 1mA) in the OFF state. Voltage protection on input & output. Indication LED and identification tag.

	<b>SIL845170</b>	<b>SIL865170</b>
Control voltage	3-32VDC	3.5-32VDC
Switching type	Zero crossing	Zero crossing
Switching output	1 N/O	1 N/O
Switching voltage	12-275VAC	24-510VAC
I=t (A=s)	312	1500
Switching current	25A	25A
Protection	VDR	VDR
LED input indication	Green	Green
Terminals	IP20 screw clamp	
Dimensions	111mm x 80mm x 22.5mm	

Stock No.	Manf Ref <sup>1</sup>	Output	Current	Unit Price		
				1-4	5-9	10-24
9771025	SIL842170	12-275VAC	25A	20.32	18.90	17.88
9771028	SIL865170	24-510VAC	25A	26.22	24.38	23.07

**SWT Series  
Three Phase Contactors**



A range of 3 phase solid state contactors with heatsink for DIN rail mounting. RC and VDR network protection. Control indication with green LED. Zero crossing switching.

	<b>SWT861730</b>	<b>SWT861790</b>
Control voltage	10-30VAC/DC	90-240VAC
Input resistance (ohm)	410	21
Switching output	3 N/O	3 N/O
Switching voltage	24-520VAC	24-520VAC
I=t (A=s)	265	5000
Peak voltage	1200V	1200V
Switching current (AC-51)	3 x 28A	3 x 28A
Switching current (AC-53)	3 x 16A	3 x 16A
Dimensions (mm)	110 x 90 x 172	110 x 90 x 172

Both relays are available in a surface mounting version, please enquire with sales.

Stock No.	Manf Ref <sup>1</sup>	Output	Current	Unit Price		
				1-4	5-9	10-24
9771031	SWT861730	24-520VAC	3 x 28A	98.67	91.76	86.83
9771034	SWT861790	24-520VAC	3 x 28A	101.07	94.00	88.94